

IndigoVision
Enterprise NVR-AS
4000 G3 1U
Windows Appliance

Quick Start Guide



IndigoVision

THIS MANUAL WAS CREATED ON TUESDAY, MAY 21, 2019.

DOCUMENT ID: IU-NVR-MAN033-1

Legal Considerations

LAWYERS THAT CAN VARY FROM COUNTRY TO COUNTRY MAY PROHIBIT CAMERA SURVEILLANCE. PLEASE ENSURE THAT THE RELEVANT LAWS ARE FULLY UNDERSTOOD FOR THE PARTICULAR COUNTRY OR REGION IN WHICH YOU WILL BE OPERATING THIS EQUIPMENT. INDIGOVISION LTD. ACCEPTS NO LIABILITY FOR IMPROPER OR ILLEGAL USE OF THIS PRODUCT.

Copyright

COPYRIGHT © INDIGOVISION LIMITED. ALL RIGHTS RESERVED.

THIS MANUAL IS PROTECTED BY NATIONAL AND INTERNATIONAL COPYRIGHT AND OTHER LAWS. UNAUTHORIZED STORAGE, REPRODUCTION, TRANSMISSION AND/OR DISTRIBUTION OF THIS MANUAL, OR ANY PART OF IT, MAY RESULT IN CIVIL AND/OR CRIMINAL PROCEEDINGS.

INDIGOVISION IS A TRADEMARK OF INDIGOVISION LIMITED AND IS REGISTERED IN CERTAIN COUNTRIES. INDIGOULTRA, INDIGOPRO, INDIGOLITE, INTEGRA AND CYBERVIGILANT ARE REGISTERED TRADEMARKS OF INDIGOVISION LIMITED. CAMERA GATEWAY IS AN UNREGISTERED TRADEMARK OF INDIGOVISION LIMITED. ALL OTHER PRODUCT NAMES REFERRED TO IN THIS MANUAL ARE TRADEMARKS OF THEIR RESPECTIVE OWNERS.

SAVE AS OTHERWISE AGREED WITH INDIGOVISION LIMITED AND/OR INDIGOVISION, INC., THIS MANUAL IS PROVIDED WITHOUT EXPRESS REPRESENTATION AND/OR WARRANTY OF ANY KIND. TO THE FULLEST EXTENT PERMITTED BY APPLICABLE LAWS, INDIGOVISION LIMITED AND INDIGOVISION, INC. DISCLAIM ALL IMPLIED REPRESENTATIONS, WARRANTIES, CONDITIONS AND/OR OBLIGATIONS OF EVERY KIND IN RESPECT OF THIS MANUAL. ACCORDINGLY, SAVE AS OTHERWISE AGREED WITH INDIGOVISION LIMITED AND/OR INDIGOVISION, INC., THIS MANUAL IS PROVIDED ON AN "AS IS", "WITH ALL FAULTS" AND "AS AVAILABLE" BASIS. PLEASE CONTACT INDIGOVISION LIMITED (EITHER BY POST OR BY E-MAIL AT TECHNICAL.SUPPORT@INDIGOVISION.COM) WITH ANY SUGGESTED CORRECTIONS AND/OR IMPROVEMENTS TO THIS MANUAL.

SAVE AS OTHERWISE AGREED WITH INDIGOVISION LIMITED AND/OR INDIGOVISION, INC., THE LIABILITY OF INDIGOVISION LIMITED AND INDIGOVISION, INC. FOR ANY LOSS (OTHER THAN DEATH OR PERSONAL INJURY) ARISING AS A RESULT OF ANY NEGLIGENT ACT OR OMISSION BY INDIGOVISION LIMITED AND/OR INDIGOVISION, INC. IN CONNECTION WITH THIS MANUAL AND/OR AS A RESULT OF ANY USE OF OR RELIANCE ON THIS MANUAL IS EXCLUDED TO THE FULLEST EXTENT PERMITTED BY APPLICABLE LAWS.

Contact address



IndigoVision Limited
Charles Darwin House,
The Edinburgh Technopole,
Edinburgh,
EH26 0PY

Dell Software License Agreement

BEFORE USING YOUR SYSTEM, READ THE DELL SOFTWARE LICENSE AGREEMENT THAT CAME WITH YOUR SYSTEM. YOU MUST CONSIDER ANY MEDIA OF DELL-INSTALLED SOFTWARE AS BACKUP COPIES OF THE SOFTWARE INSTALLED ON YOUR SYSTEM'S HARD DRIVE. IF YOU DO NOT ACCEPT THE TERMS OF THE AGREEMENT, CALL THE CUSTOMER ASSISTANCE TELEPHONE NUMBER.

FOR CUSTOMERS IN THE UNITED STATES, CALL 800-WWW-DELL (800-999-3355).

FOR CUSTOMERS OUTSIDE THE UNITED STATES, VISIT SUPPORT.DELL.COM AND SELECT YOUR COUNTRY OR REGION FROM THE TOP OF THE PAGE.

Safety notices

This guide uses the following formats for safety notices:



Indicates a hazardous situation which, if not avoided, could result in death or serious injury.



Indicates a hazardous situation which, if not avoided, could result in moderate injury, damage the product, or lead to loss of data.

Notice

Indicates a hazardous situation which, if not avoided, may seriously impair operations.



Additional information relating to the current section.

Installing and configuring the 1U variant

Before performing the following procedure, review the safety instructions that came with the system.

Unpacking a rack system

Unpack your system and identify each item.

Assemble the rails and install the system in the rack following the safety instructions and the rack installation instructions provided with your system.

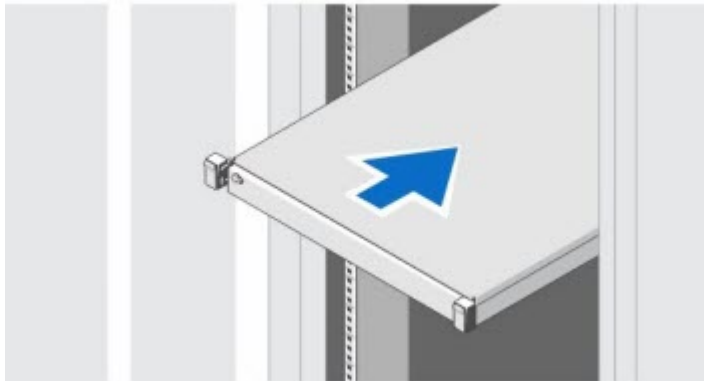


Figure 1 Installing the rails and system in a rack

Connecting the keyboard, mouse, and monitor

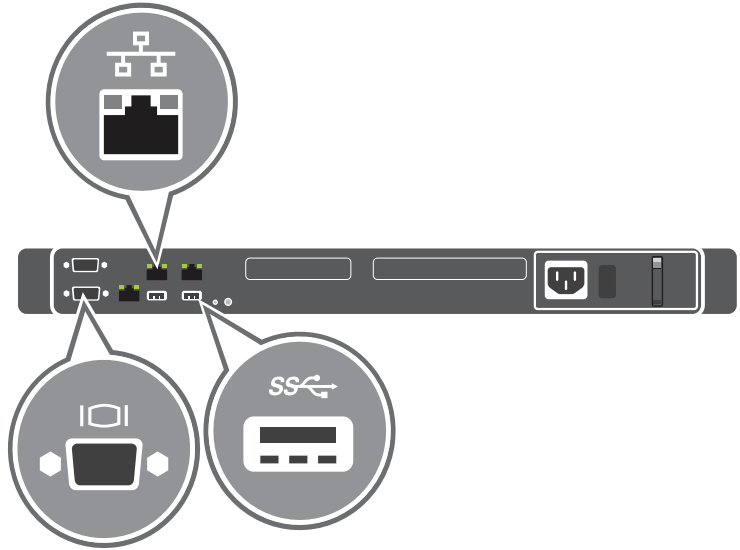


Figure 2 Connecting keyboard, mouse, and monitor

Connect the keyboard, mouse, and monitor (optional)

The connectors on the back of your system have icons indicating which cable to plug into each connector. Be sure to tighten the screws (if any) on the monitor's cable connector.

Connecting the power cable(s)

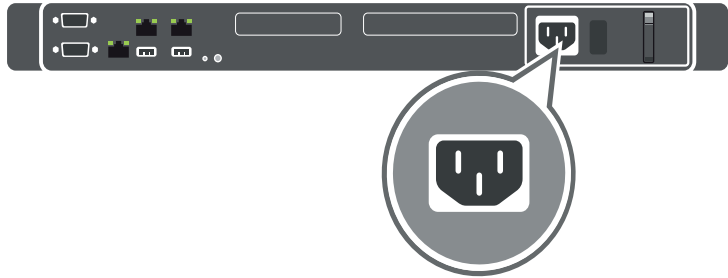


Figure 3 Connecting the power cable(s)

Connect the system's power cable to the system and, if a monitor is used, connect the monitor's power cable to the monitor.

Securing the power cable(s)

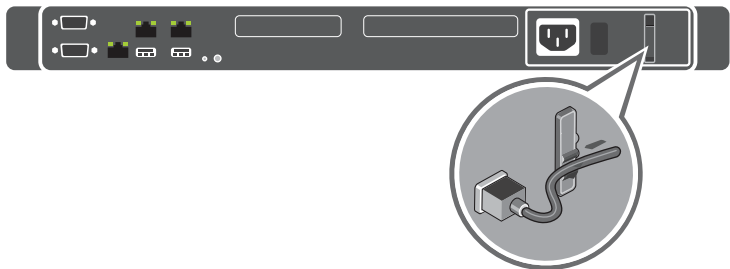


Figure 4 Securing the power cable(s)

Bend the system power cable(s), as shown in the illustration, and attach to the cable strap.

Plug the other end of the power cable(s) into a grounded electrical outlet or a separate power source such as an uninterruptible power supply (UPS) or a power distribution unit (PDU).



Using a UPS with redundant system power supplies is highly recommended. If deployed without a UPS, it is advisable to use the RAID controller section of the BIOS to disable the Disk Cache Policy on each of the Virtual Disks in order to reduce the risk of data loss in the event of power loss. Note that this may reduce the NVR-AS system performance.

Turning on the system

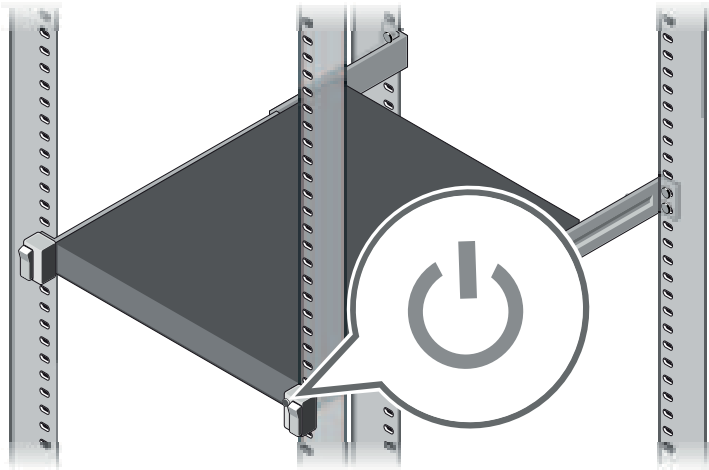


Figure 5 Turning on the system

Press the power button on the system. The power indicator should light.

Installing the bezel

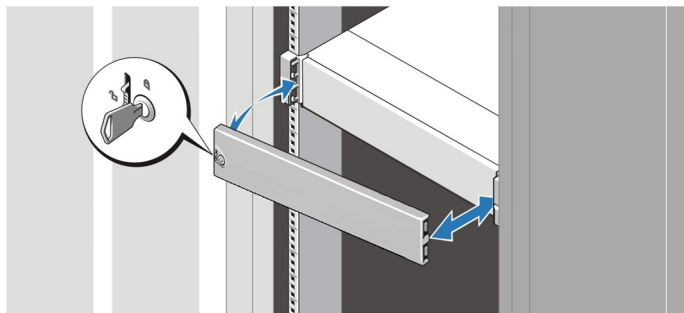


Figure 6 Installing the bezel

Install the bezel.

Connect the device to the network

Connect the NVR-AS to the Ethernet network using standard CAT5 Ethernet cables.

The network interfaces on the Enterprise NVR-AS 4000 1U are configured as an active backup pair. If the active link fails, the other link is used instead.

Complete the operating system setup

When you power up the Enterprise NVR-AS 4000 G3 1U for the first time, Windows performs initial configuration. During the initial configuration:

- Specify the location settings
- Read and accept the Windows license agreement
- Define the administrator password.

The password must meet the following criteria.

- Be at least six characters in length
- Contain characters from three of the following four categories:

- English uppercase characters (A through Z)
- English lowercase characters (a through z)
- Base 10 digits (0 through 9)
- Non-alphabetic characters (for example, !, \$, #, %)

During this process, Windows may reboot a number of times.



On delivery, the Enterprise NVR-AS 4000 G3 1U RAID arrays commence a background initialization process. During this operation the RAID array is fully operational but does not have full redundancy until it completes.

After Windows configuration is complete and you login for the first time, the Enterprise NVR-AS 4000 G3 1U Installation Wizard opens. Use the wizard to:

- Read and accept the IndigoVision license agreement.
- Install a local IndigoVision License Server for the device

On completing the wizard, it launches the NVR Administrator tool in order to complete NVR setup. If you don't complete the wizard, you are prompted to do so again the next time Windows starts up. Once the NVR Administrator tool has completed, the Enterprise NVR-AS 4000 is fully operational.

Notice

If you do not install a local License Server and do not have an existing compatible deployed IndigoVision License Server available, it is possible to complete initial setup by simply leaving the License Server field in the NVR-AS Administrator tool blank. While this will allow setup to complete, the NVR will not be able to record/playback video until it has been configured to use a compatible License Server.

You can now configure the rest of the Enterprise NVR-AS 4000 settings. By default the network interfaces are configured to use DHCP.

IndigoVision License Server configuration

To complete the NVR-AS setup and allow it to record, you must configure the Enterprise NVR-AS 4000 G3 1U to use an IndigoVision License Server.

For existing Control Center sites the IP address of the License Server should be entered into the Enterprise NVR-AS 4000 G3 1U Installation Wizard during first boot configuration.

The Enterprise NVR-AS 4000 G3 1U Installation Wizard offers the ability to configure this Enterprise NVR-AS 4000 G3 1U to act as a License Server for a Control Center site. When this option is selected a time-limited trial of Control Center is started. To continue to use Control Center an appropriate license should be purchased.

Notice *Each IndigoVision site should only have a single License Server. If you configure the Enterprise NVR-AS 4000 G3 1U to act as a License Server, make sure that there are no other License Servers active in your site.*

Notice *If the Enterprise NVR-AS 4000 G3 1U is configured to act as a License Server, you must manually configure all instances of Control Center and the other NVR-AS devices in your site to use this Enterprise NVR-AS 4000 G3 1U as a License Server.*



Configuring the Enterprise NVR-AS 4000 G3 1U device to act as a License Server will start the time limited trial license.

Technical specification - Enterprise NVR-AS 4000 G3 1U

Power

AC Power Supply (per power supply)

Wattage	250 W
Heat dissipation	1039 BTU/hr maximum (250W power supply)
Heat dissipation is calculated using the power supply wattage rating.	
Voltage	100/240 V AC, autoranging, 50/60 Hz
This system is also designed to be connected to IT power systems with a phase to phase voltage not exceeding 230 V.	

Battery

Coin-cell battery	3 V CR2032 Lithium coin cell
-------------------	------------------------------

Physical

Height	42.8 mm (1.68 inch)
Width	
	With rack latches 482.00 mm (18.97 inch)
	Without rack latches 434.00 mm (17.08 inch)
	Depth (excludes bezel) 595.63 mm (23.45 inch)
Weight (maximum)	12.2 kg (26.89 lb)

Environmental

Temperature

Operating	10°C to 35°C (50°F to 95°F) with no direct sunlight on the equipment. Maximum temperature gradient of 20°C/h (36°F/h).
Storage	-40°C to 65°C (-40°F to 149°F) Maximum temperature gradient of 20°C/h (36°F/h).

Relative Humidity

Operating	10% to 80% RH with 29°C (84.2°F) maximum dew point.
Storage	5% to 95% RH with 33°C (91°F) maximum dew point. Atmosphere must be non-condensing at all times.

Maximum Vibration

Operating	0.26 G_{rms} at 5 Hz to 350 Hz (all operation orientations)
Storage	1.88 G_{rms} at 10 Hz to 500 Hz for 15 min (all six sides tested)

Maximum Shock

Operating	Six consecutively executed shock pulses in the positive and negative x, y and z axes of 6 G for up to 11 ms
Storage	Six consecutively executed shock pulses in the positive and negative x, y, and z axes (one pulse on each side of the system) of 71 G for up to 2 ms

Altitude

Operating	Up to 3048 m (10,000 ft)
Operating temperature de-rating:	
Up to 35°C (95°F):	Maximum temperature is reduced by 1°C/300 m (1°F/547 ft) above 950 m (3,117 ft).
35°C to 40°C (95°F to 104°F):	Maximum temperature is reduced by 1°C/175 m (1°F/319 ft) above 950 m (3,117 ft).
40°C to 45°C	Maximum temperature is reduced by 1°C/125 m (1°F/228 ft)

(104°F to 113°F): above 950 m (3,117 ft).

Air filtration

Class Data center air filtration as defined by ISO Class 8 per ISO 14644-1 with a 95% upper confidence limit.

Further information

For further information, please refer to the Enterprise NVR-AS 4000 G3 1U Windows User Guide available at:

<https://partners.indigovision.com>.