



**IndigoVision
Enterprise NVR-AS
4000 G3 1U
Linux Appliance**

Quick Start Guide



IndigoVision

THIS MANUAL WAS CREATED ON TUESDAY, MAY 21, 2019.

DOCUMENT ID: IU-NVR-MAN034-1

Legal Considerations

LAWYERS THAT CAN VARY FROM COUNTRY TO COUNTRY MAY PROHIBIT CAMERA SURVEILLANCE. PLEASE ENSURE THAT THE RELEVANT LAWS ARE FULLY UNDERSTOOD FOR THE PARTICULAR COUNTRY OR REGION IN WHICH YOU WILL BE OPERATING THIS EQUIPMENT. INDIGOVISION LTD. ACCEPTS NO LIABILITY FOR IMPROPER OR ILLEGAL USE OF THIS PRODUCT.

Copyright

COPYRIGHT © INDIGOVISION LIMITED. ALL RIGHTS RESERVED.

THIS MANUAL IS PROTECTED BY NATIONAL AND INTERNATIONAL COPYRIGHT AND OTHER LAWS. UNAUTHORIZED STORAGE, REPRODUCTION, TRANSMISSION AND/OR DISTRIBUTION OF THIS MANUAL, OR ANY PART OF IT, MAY RESULT IN CIVIL AND/OR CRIMINAL PROCEEDINGS.

INDIGOVISION IS A TRADEMARK OF INDIGOVISION LIMITED AND IS REGISTERED IN CERTAIN COUNTRIES. INDIGOULTRA, INDIGOPRO, INDIGOLITE, INTEGRA AND CYBERVIGILANT ARE REGISTERED TRADEMARKS OF INDIGOVISION LIMITED. CAMERA GATEWAY IS AN UNREGISTERED TRADEMARK OF INDIGOVISION LIMITED. ALL OTHER PRODUCT NAMES REFERRED TO IN THIS MANUAL ARE TRADEMARKS OF THEIR RESPECTIVE OWNERS.

SAVE AS OTHERWISE AGREED WITH INDIGOVISION LIMITED AND/OR INDIGOVISION, INC., THIS MANUAL IS PROVIDED WITHOUT EXPRESS REPRESENTATION AND/OR WARRANTY OF ANY KIND. TO THE FULLEST EXTENT PERMITTED BY APPLICABLE LAWS, INDIGOVISION LIMITED AND INDIGOVISION, INC. DISCLAIM ALL IMPLIED REPRESENTATIONS, WARRANTIES, CONDITIONS AND/OR OBLIGATIONS OF EVERY KIND IN RESPECT OF THIS MANUAL. ACCORDINGLY, SAVE AS OTHERWISE AGREED WITH INDIGOVISION LIMITED AND/OR INDIGOVISION, INC., THIS MANUAL IS PROVIDED ON AN "AS IS", "WITH ALL FAULTS" AND "AS AVAILABLE" BASIS. PLEASE CONTACT INDIGOVISION LIMITED (EITHER BY POST OR BY E-MAIL AT TECHNICAL.SUPPORT@INDIGOVISION.COM) WITH ANY SUGGESTED CORRECTIONS AND/OR IMPROVEMENTS TO THIS MANUAL.

SAVE AS OTHERWISE AGREED WITH INDIGOVISION LIMITED AND/OR INDIGOVISION, INC., THE LIABILITY OF INDIGOVISION LIMITED AND INDIGOVISION, INC. FOR ANY LOSS (OTHER THAN DEATH OR PERSONAL INJURY) ARISING AS A RESULT OF ANY NEGLIGENT ACT OR OMISSION BY INDIGOVISION LIMITED AND/OR INDIGOVISION, INC. IN CONNECTION WITH THIS MANUAL AND/OR AS A RESULT OF ANY USE OF OR RELIANCE ON THIS MANUAL IS EXCLUDED TO THE FULLEST EXTENT PERMITTED BY APPLICABLE LAWS.

Contact address



IndigoVision Limited
Charles Darwin House,
The Edinburgh Technopole,
Edinburgh,
EH26 0PY

Dell Software License Agreement

BEFORE USING YOUR SYSTEM, READ THE DELL SOFTWARE LICENSE AGREEMENT THAT CAME WITH YOUR SYSTEM. YOU MUST CONSIDER ANY MEDIA OF DELL-INSTALLED SOFTWARE AS BACKUP COPIES OF THE SOFTWARE INSTALLED ON YOUR SYSTEM'S HARD DRIVE. IF YOU DO NOT ACCEPT THE TERMS OF THE AGREEMENT, CALL THE CUSTOMER ASSISTANCE TELEPHONE NUMBER.

FOR CUSTOMERS IN THE UNITED STATES, CALL 800-WWW-DELL (800-999-3355).

FOR CUSTOMERS OUTSIDE THE UNITED STATES, VISIT SUPPORT.DELL.COM AND SELECT YOUR COUNTRY OR REGION FROM THE TOP OF THE PAGE.

Safety notices

This guide uses the following formats for safety notices:



Indicates a hazardous situation which, if not avoided, could result in death or serious injury.



Indicates a hazardous situation which, if not avoided, could result in moderate injury, damage the product, or lead to loss of data.

Notice

Indicates a hazardous situation which, if not avoided, may seriously impair operations.



Additional information relating to the current section.

Installing and configuring the 1U variant

Before performing the following procedure, review the safety instructions that came with the system.

Unpacking a rack system

Unpack your system and identify each item.

Assemble the rails and install the system in the rack following the safety instructions and the rack installation instructions provided with your system.

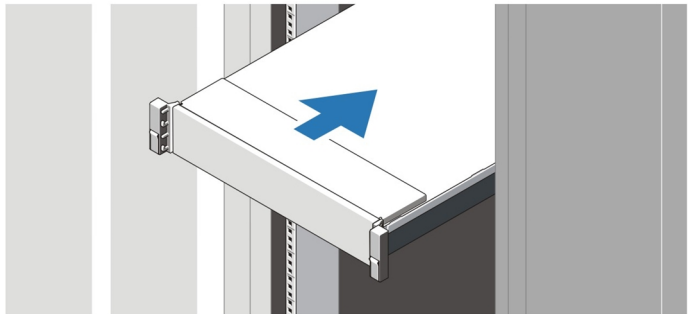


Figure 1 Installing the rails and system in a rack

Connecting the keyboard, mouse, and monitor

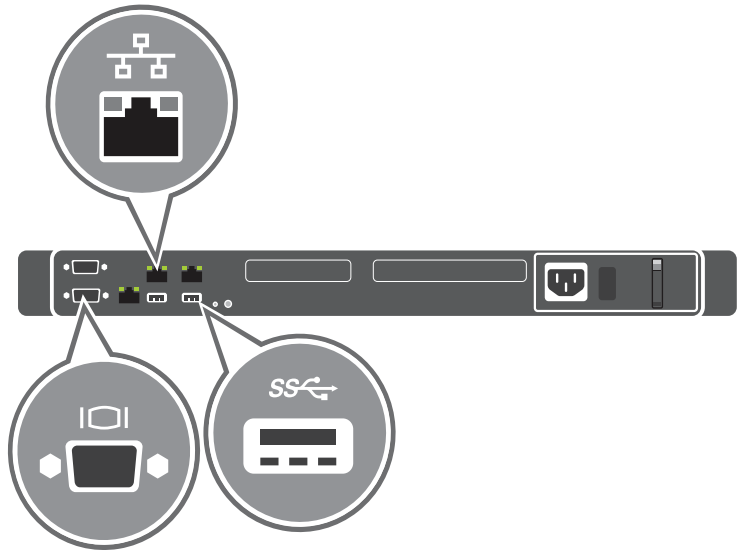


Figure 2 Connecting keyboard, mouse, and monitor

Connect the keyboard, mouse, and monitor (optional)

The connectors on the back of your system have icons indicating which cable to plug into each connector. Be sure to tighten the screws (if any) on the monitor's cable connector.

Connecting the power cable(s)

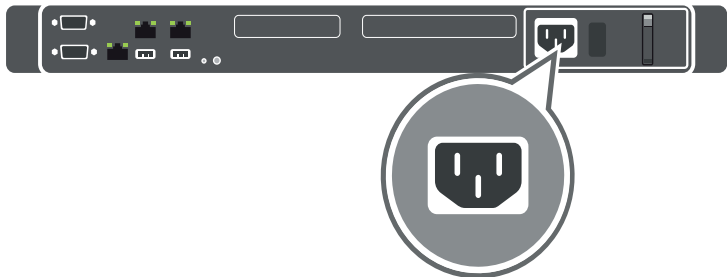


Figure 3 Connecting the power cable(s)

Connect the system's power cable to the system and, if a monitor is used, connect the monitor's power cable to the monitor.

Securing the power cable(s)

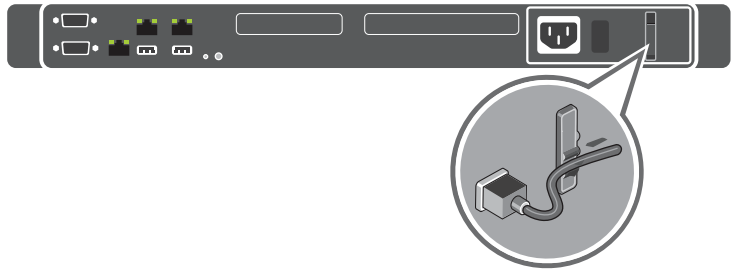


Figure 4 Securing the power cable(s)

Bend the system power cable(s), as shown in the illustration, and attach to the cable strap.

Plug the other end of the power cable(s) into a grounded electrical outlet or a separate power source such as an uninterruptible power supply (UPS) or a power distribution unit (PDU).



Caution

Using a UPS with redundant system power supplies is highly recommended. If deployed without a UPS, it is advisable to use the RAID controller section of the BIOS to disable the Disk Cache Policy on each of the Virtual Disks in order to reduce the risk of data loss in the event of power loss. Note that this may reduce the NVR-AS system performance.

Turning on the system

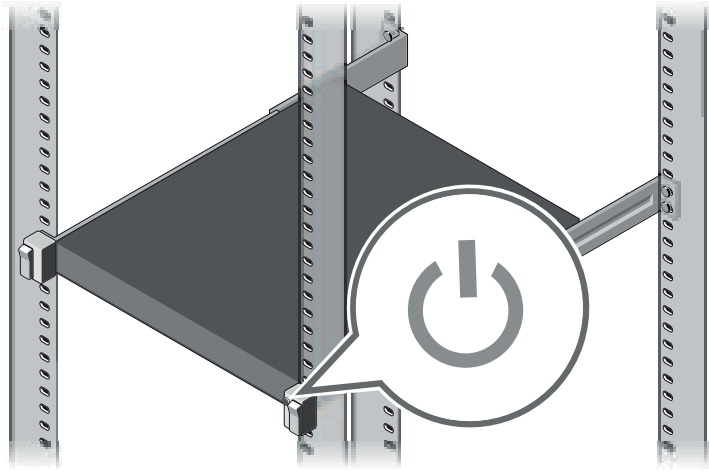


Figure 5 Turning on the system

Press the power button on the system. The power indicator should light.

Installing the bezel

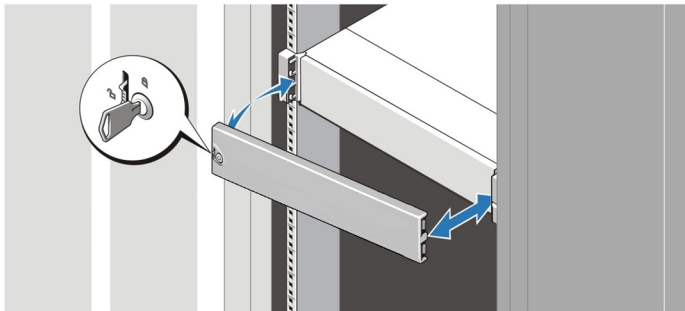


Figure 6 Installing the bezel

Install the bezel.

Connect the device to the network

Connect the NVR-AS to the Ethernet network using a standard CAT5 Ethernet cable.

The network interfaces on the Enterprise NVR-AS 4000 1U are configured as an active backup pair. If the active link fails, the other link is used instead.

Complete the initial system setup

When you power up the Enterprise NVR-AS 4000 G3 for the first time, the unit goes through self test. During this stage the device performs initial configuration. When the self test is complete, the unit reboots.

Before you can configure the rest of the Enterprise NVR-AS 4000 settings, the Administrator password must be set. To do this, access the web interface on the device. The first time you do so, you will be prompted to set the Administrator password.

When first powered on, the Enterprise NVR-AS 4000 is set to use DHCP. To get the IP address of the system, which is required to access the web interface, you can do one of the following:

- Query your DHCP server to find which IP address has been assigned to the system
- Configure the system to use a static IP address
 - ▶ *For more information on how to do this, see "Using a monitor and keyboard" on page 10*

Notice *Until the Administrator password is set, you will not be able to discover the Enterprise NVR-AS 4000 in Control Center or perform any further configuration.*



When first powered on, the Enterprise NVR-AS 4000 G3 RAID arrays commence a background initialization process. During this operation the RAID array is fully operational but does not have full redundancy until it completes.

Configuration

You can configure the Enterprise NVR-AS 4000 G3 1U using the Web Configuration pages, or a monitor and keyboard.

DHCP

If your network supports DHCP connections, attach the device to the network and a valid IP address is automatically assigned. The Enterprise NVR-AS 4000 G3 1U can then be discovered using the Control Center front-end application.

If your network does not support DHCP, the device will not be assigned an IP address and you must follow the monitor and keyboard instructions.

Using a monitor and keyboard

1. Connect the keyboard and monitor to the device and press **Enter**.

You should see the following prompt:

```
login:
```

2. Log in to the device using the username `config` and password `config`.

The device prompts you to enter the new configuration values.

3. At each prompt, press **Enter** to accept the current value.
 - **DHCP** - Enter **Y** or **N** to chose between a DHCP or static IP configuration.
 - **IP Address** — Enter the IP address for the unit's network connection.
 - **Subnet Mask** — Enter the IP network subnet mask for the unit's network connection.
 - **Gateway** — Appropriate default gateway for remote network access: this is only required if the unit is to communicate with devices on a different subnet.

- **Preferred/Alternate Name Server Address** — Enter the IP address of the DNS server used to convert network names into numerical IP addresses. You only need to enter a name servers if you wish to specify NTP or SMTP server addresses as names and not as IP addresses.
- **name** — Enter a name to describe the unit.
- **NVR location** — Enter a name to describe the location of the unit.
- **Reset network security** — Enter γ to reset all passwords used to access device, disable IP Access Restrictions, and reset the device to HTTP use only by deleting any HTTPS certificate or certificate request.

You are now ready to attach the device to the network.

Web Configuration pages

To access the Web Configuration pages, enter the IP address of your device into a web browser.

If a web access password has not been previously defined for the device you will be prompted to set a password.

The password must contain between 8 and 32 printable ASCII (7-bit US-ASCII) characters. Enter the password again to confirm it.

The login page is then displayed. Use the web access password to log in, and the Home page is displayed.

Notice *The web access password must be configured before the NVR is capable of performing any authenticated network services, including recording.*

To access any of the other configuration pages, click the required option in the menu on the left of each page.

To save the changes made on any page, click **Submit** before navigating away from that page.

Technical specification - Enterprise NVR-AS 4000 G3 1U

Power

AC Power Supply (per power supply)

Wattage	250 W
Heat dissipation	1039 BTU/hr maximum (250W power supply)
Heat dissipation is calculated using the power supply wattage rating.	
Voltage	100/240 V AC, autoranging, 50/60 Hz
This system is also designed to be connected to IT power systems with a phase to phase voltage not exceeding 230 V.	

Battery

Coin-cell battery	3 V CR2032 Lithium coin cell
-------------------	------------------------------

Physical

Height	42.8 mm (1.68 inch)
Width	
	With rack latches 482.00 mm (18.97 inch)
	Without rack latches 434.00 mm (17.08 inch)
	Depth (excludes bezel) 595.63 mm (23.45 inch)
Weight (maximum)	12.2 kg (26.89 lb)

Environmental

Temperature

Operating	10°C to 35°C (50°F to 95°F) with no direct sunlight on the equipment. Maximum temperature gradient of 20°C/h (36°F/h).
Storage	−40°C to 65°C (−40°F to 149°F) Maximum temperature gradient of 20°C/h (36°F/h).

Relative Humidity

Operating	10% to 80% RH with 29°C (84.2°F) maximum dew point.
Storage	5% to 95% RH with 33°C (91°F) maximum dew point. Atmosphere must be non-condensing at all times.

Maximum Vibration

Operating	0.26 G _{rms} at 5 Hz to 350 Hz (all operation orientations)
Storage	1.88 G _{rms} at 10 Hz to 500 Hz for 15 min (all six sides tested)

Maximum Shock

Operating	Six consecutively executed shock pulses in the positive and negative x, y and z axes of 6 G for up to 11 ms
Storage	Six consecutively executed shock pulses in the positive and negative x, y, and z axes (one pulse on each side of the system) of 71 G for up to 2 ms

Altitude

Operating	Up to 3048 m (10,000 ft)
Operating temperature de-rating:	
Up to 35°C (95°F):	Maximum temperature is reduced by 1°C/300 m (1°F/547 ft) above 950 m (3,117 ft).
35°C to 40°C (95°F to 104°F):	Maximum temperature is reduced by 1°C/175 m (1°F/319 ft) above 950 m (3,117 ft).
40°C to 45°C (104°F to 113°F):	Maximum temperature is reduced by 1°C/125 m (1°F/228 ft) above 950 m (3,117 ft).

Air filtration

Class

Data center air filtration as defined by ISO Class 8 per ISO 14644-1 with a 95% upper confidence limit.

Further information

For further information, please refer to the Enterprise NVR-AS 4000 G3 1U Linux User Guide available at:

<https://partners.indigovision.com>.