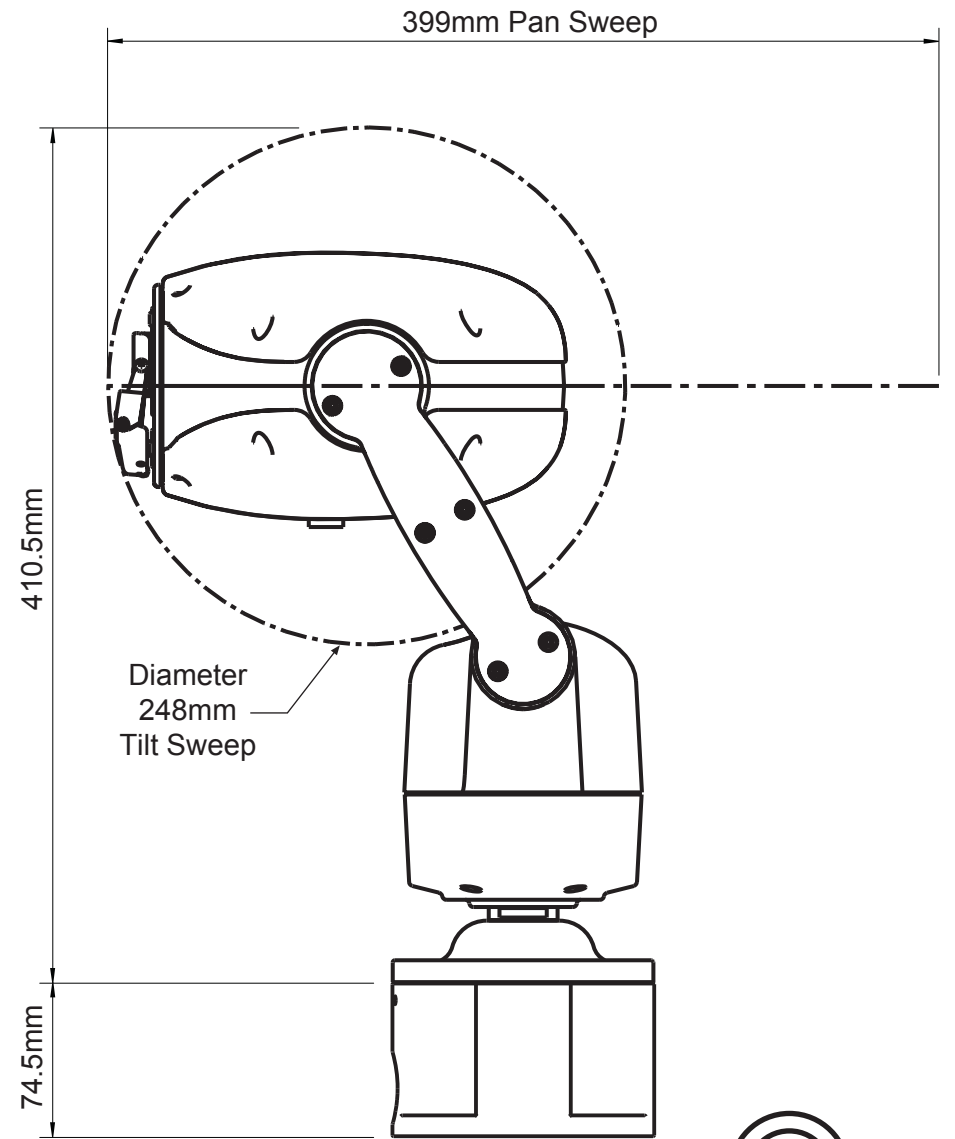
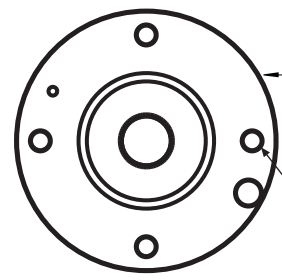


View on Front Face



View on Side Face



View on Bottom Face

Diameter
125mm

4 x Diameter 9mm
102mm PCD



IndigoVision

HD Interceptor PTZ
Camera and
Fixed Mount

Product Codes:
511781; 511782 (PAL)