



IndigoVision



HD Ultra Bullet Camera

Capture every detail with ultra-high resolution

With best in class performance, the IndigoVision HD Ultra Bullet Camera delivers rich, Full HD video and image clarity, in all lighting conditions. IndigoVision's SMART.core™ technology gives highly optimised H.265 compression, reducing storage costs by up to 95%.

Key Features

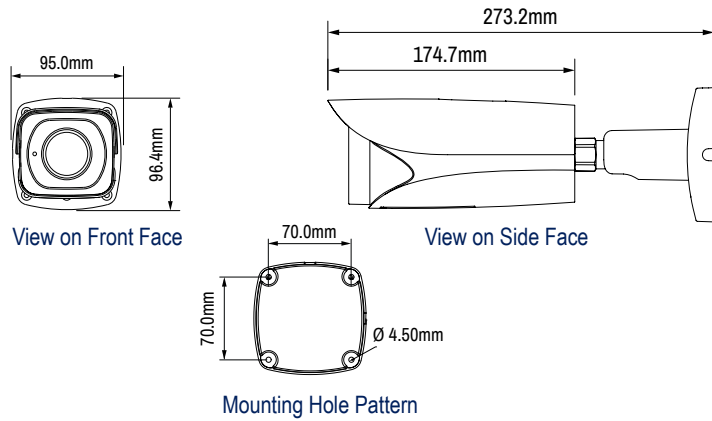
SENSOR					
	Day/Night	Low Light	WDR		
	COMPRESSION				
		H.265	H.264	UP TO 60fps	AAC
INTELLIGENCE					
	ACF	ACF+	Analytics	Motion Detection	
OTHER					
	DNA	PoE+	ONVIF	CyberVigilant®	
PHYSICAL					
	Outdoor	IK10	Low Temp	High Temp	
				IR	

Product Codes

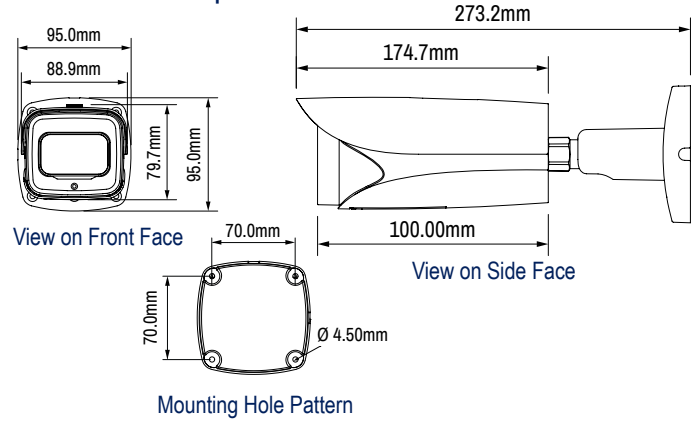
U2615 Bullet Camera	Product Code
HD Ultra Bullet Standard Lens, 4.1mm-16.4mm	710660
HD Ultra Bullet Telephoto Lens, 7mm-35mm	710661



Dimensions: Standard Lens



Dimensions: Telephoto Lens



Specification

Camera Features	Standard Lens	Telephoto Lens
Sensor	1/1.9" Progressive CMOS	1/2.8 Progressive CMOS
Active Pixels (HxV)	HD (1920x1080)	
Minimum Sensitivity	Day: 0.01 Lux (colour). Night: 0.001 Lux (mono). 30 IRE, F1.53, 1/30s shutter	Day: 0.03 Lux (colour). Night: 0.005 Lux (mono). 30 IRE, F1.4, 1/30s shutter
Dynamic Range	WDR > 120dB	WDR > 140dB
Gain Control	Auto/Manual	
Back Light Compensation	Off/BLC/HLC/WDR/SSA	
White Balance Mode	Auto / Natural / Street Lamp / Outdoor / Manual / Regional Custom	
Day/Night	True Day/Night with Mechanical IR Cut Filter	
IR Illuminator	Built-in IR Illuminator 850nm wavelength, effective distance >50m	Built-in IR Illuminator 850nm wavelength, effective distance >100m
Video Resolution	1920x1080 pixels (HD); 1280x960 pixels (1.3MP); 1280x720 pixels (720p); 704x576 pixels (D1); 704x480 pixels (D1) 352x288 pixels (SIF); 352x240 pixels (SIF); 640x480 (VGA)	640x480 (VGA)
Signal/Noise Level	> 50dB	
Lens Options	4.1mm to 16.4mm, Horizontal view angle 80° (W) 32° (T), F1.53 Vari-focal with Remote Zoom/Focus	7mm to 35mm, Horizontal view angle 34° (W) 12° (T), F1.4, Vari-focal with Remote Zoom/Focus
Zoom	4x optical	5x optical
Iris Control	Auto Iris	
Shutter	Rolling; Auto from 1/3 - 1/100,000	
Exposure Control	Auto/Gain Priority/Shutter Priority/Aperture Priority / Manual	
Video Compression	Full frame rate, full colour: H.265 ^A ; up to 30fps, H.264/MJPEG; up to 60fps	
Video Bit Rate	User-configurable bit rates from 24Kbps up to 10Mbps	
Privacy Zones	4 User Defined	
Video Multi-Streaming	Up to 32Mbps total video output; Unlimited multicast connections; Up to eight 4Mbps unicast connections	
Video Multi-Encoder	Up to two simultaneous resolutions with guaranteed frame rate including: up to 1080p (60fps) plus up to 1080p (60fps) or lower	
Video Analytics	ACF, ACF+, Motion Detection, Tripwire, Intrusion, Abandoned Object, Missing Object, Scene Change, Video Tamper, Defocus Detect, Face Detection	
Intelligence	People Counting, Heat Map	
Audio Compression	G.711Mu/AAC	
Audio Bit Rate	16-96Kbps per channel	
Audio Dual Encoder	Main Stream: 1 Stream Configuration plus Sub Stream: 1 Stream Configuration	
Audio Resolution	G.711Mu 8 KHz sample rate, AAC is configurable with options 8, 16, 32 and 48 KHz	
Audio Analytics	Audio Intensity High, Audio Input Abnormal	
Audio Input	Line in, RCA connector	
Audio Output	Line out, RCA connector	
Binary Input/Output	2 Pull up inputs for non powered contacts; 1 Solid state open collector output, Max 30v DC 0.5A / 21v AC 0.5A	
Network Interface	IEEE802.3 and IETF standards: 100/1000 Base-T Ethernet, IPv4/IPv6, TCP, UDP, RTP, RTSP, ICMP, IGMP, SNMP, HTTP, HTTPS, PPPoE, uPnP, QoS, DHCP	
Network Security	HTTPS, IP Filter, IEEE 802.1x	
CyberVigilant® Technology	Yes	
Time	Embedded real-time clock, NTP client	
SD Storage	microSDXC 128GB support (card not included)*	
Dimensions/Weight	273mm (d) x 95mm (w) x 95mm (h) and 1.3Kg (with sun shade)	
Regulatory	EN 55032, EN 50130-4, EN 55024, EN 61000-3-2, EN 61000-3-3, CFR47 part 15, UL60950-1, EN60068-2-6, EN 60068-2-64, EN 60068-2-27, EN 60068-2-1, EN 60068-2-2, EN 60068-2-30, EN 60529, EN 62262	
Housing	White vandal resistant aluminium alloy with polycarbonate sun shade including 200mm cable bundle	
Protection Rating	IP67, IK10	
Electrical	Camera including heater: PoE+ (802.3at Class 4) or 12v DC @ 1.1A Power supply ordered separately (Product code: 110068/130176)	
Operating Temperature	-40°C to 60°C	
Cold Start	-20°C	
IndigoVision Software Requirements	Control Center v15.4 or later	
Supported Internet Browsers	Internet Explorer v11.0 or above	
ONVIF	Profile S	

* SDCard Storage independent of IndigoVision's NVRs. ^A H.265 requires Control Center 16.0 or later.

Note: Specifications are correct at the datasheet date of issue and are subject to change without prior notice.