



IndigoVision



# HD Ultra Minidome Camera

Capture every detail with ultra-high resolution

With best in class performance, the IndigoVision HD Ultra Minidome Camera delivers rich, Full HD video and image clarity, in all lighting conditions. IndigoVision's SMART.core™ technology gives highly optimised H.265 compression, reducing storage costs by up to 95%.

## Key Features

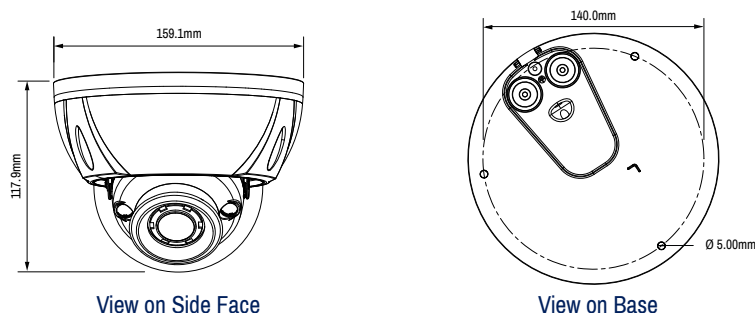
SENSOR					
	Day/Night	Low Light	WDR		
	COMPRESSION				
		H.265	H.264	UP TO 60fps	AAC
INTELLIGENCE					
	ACF	ACF+	Analytics	Motion Detection	
OTHER					
	DNA	PoE+	ONVIF	CyberVigilant®	
PHYSICAL					
	Outdoor	IK10	Low Temp	High Temp	
				IR	

## Product Codes

U2410 Minidome Cameras	Product Code
HD Ultra Minidome Standard Lens, 4.1mm-16.4mm	710460
HD Ultra Minidome Telephoto Lens, 7mm-35mm	710461



# Dimensions



# Specification

Camera Features	Standard	Telephoto
Sensor	1/1.9" Progressive CMOS	1/2.8" Progressive CMOS
Active Pixels (HxV)	HD (1920 x 1080)	
Minimum Sensitivity	Day: 0.01 Lux (colour). Night: 0.001 Lux (mono). 30IRE, F1.53, 1/30s shutter	Day: 0.03 Lux (colour). Night: 0.003 Lux (mono). 30IRE, F1.4, 1/30s shutter
Dynamic Range	WDR > 120dB	
Gain Control	Auto/Manual	
Back Light Compensation	Off/BLC/HLC/WDR/SSA	
White Balance Mode	Auto / Natural / Street Lamp / Outdoor / Manual / Regional Custom	
Day/Night	True Day/Night with Mechanical IR Cut Filter	
IR Illuminator	Built-in IR Illuminator 850nm wavelength, effective distance >50m	Built-in IR Illuminator 850nm wavelength, effective distance >100m
Video Resolution	1920x1080 pixels (HD); 1280x960 pixels (1.3MP); 1280x720 pixels (720p); 704x576 pixels (D1); 704x480 pixels (D1) 352x288 pixels (SIF); 352x240 pixels (SIF); 640x480 (VGA)	
Signal/Noise Level	> 50dB	
Lens Options	4.1mm – 16.4mm, Horizontal view angle 92° (W) 32° (T), F1.53, Remote Zoom/Focus	7mm - 35mm Horizontal view angle 34° (W) 11° (T), F1.4, Remote Zoom/Focus
Zoom	4x optical	5x optical
Iris Control	Auto Iris	
Shutter	Rolling: Auto from 1/3 - 1/100,000 sec	
Exposure Control	Auto / Gain Priority / Shutter Priority / Aperture Priority / Manual	
Gimbal Adjustment	3 axis adjustment	
Video Compression	Full frame rate, full colour: H.265 <sup>A</sup> ; up to 30fps, H.264/MJPEG; up to 60fps	
Video Bit Rate	User-configurable from 24Kbps up to 10Mbps	
Privacy Zones	4 User Defined	
Video Multi-Streaming	Up to 32Mbps total video output; Unlimited multicast connections; Up to eight 4Mbps unicast connections	
Video Multi-Encoder	Up to two simultaneous resolutions with guaranteed frame rate including: up to 1080p (60fps) plus up to 1080p (60fps) or lower	
Video Analytics	ACF, ACF+, Motion Detection, Tripwire, Intrusion, Abandoned Object, Missing Object, Scene Change, Video Tamper, Defocus Detect, Face Detection	
Intelligence	People Counting, Heat Map	
Audio Compression	G.711Mu/AAC	
Audio Bit Rate	16-96Kbps per channel	
Audio Dual Encoder	Main Stream: 1 Stream Configuration plus Sub Stream: 1 Stream Configuration	
Audio Resolution	G.711Mu 8 KHz sample rate, AAC is configurable with options 8, 16, 32 and 48 KHz	
Audio Analytics	Audio Input Abnormal, Audio Intensity High	
Audio Input	Line in, terminal block connector	
Audio Output	Line out, terminal block connector	
Binary Input/Output	1 Pull up input for non powered contacts; 1 Solid state open collector output, Max 30V DC 1A/ 50VAC 0.5A	
Network Interface	IEEE802.3 and IETF standards: 100/1000 Base-T Ethernet, IPv4/IPv6, TCP, UDP, RTP, RTSP, ICMP, IGMP, SNMP, HTTP, HTTPS, PPPoE, uPnP, QoS, DHCP	
Network Security	HTTPS, IP Filter, IEEE 802.1x	
CyberVigilant® Technology	Yes	
Time	Embedded real-time clock, NTP client	
SD Storage	microSDXC upto 128GB support (card not included)**	
Dimensions/Weight	159.1mm (dia.) x 117.9mm (h) and 1.75Kg	
Regulatory	EN 55032, EN 50130-4, EN 55024, EN 61000-3-2, EN 61000-3-3, CFR47 part 15 Subpart B, UL60950-1, EN60068-2-6, EN 60068-2-64, EN 60068-2-27, EN 60068-2-1, EN 60068-2-2, EN 60068-2-30, EN 60529, EN 62262	
Housing	Diecast aluminium alloy with polycarbonate dome	
Protection Rating	IP67, IK10	
Electrical	PoE+ (802.3at Class 4) or 12V DC @1.33A/ 24V AC @ 0.71A max Camera only (-10°C to +60°C): PoE / 10.8W Camera including Heater (-40°C to +60°C): PoE+ / 16.0W	PoE+ (802.3at Class 4) or 12V DC @1.42A./ 24V AC @ 0.75A max Camera only (-10°C to +60°C): PoE / 12.6W Camera including Heater (-40°C to +60°C): PoE+ / 17.1W
Operating Temperature	PoE: -10°C to +60°C* PoE+ / External PSU: -40°C to +60°C	
Cold Start	-20°C	
IndigoVision Software Requirements	Control Center v15.4 or later	
Supported Internet Browsers	Internet Explorer v11.0 or later	
ONVIF	Profile S	

\* If operating temperature drops below -10°C then heater will operate and PoE+ power or External PSU is required. \*\* SDCard Storage independent of IndigoVision's NVRs. ^ H.265 requires Control Center 16.0 or later.