

INDIGOVISION

HD & 4MP MINIDOME

BX RANGE

HD AND 4MP VARIANTS

QUICK START GUIDE

PACKAGE CONTENTS

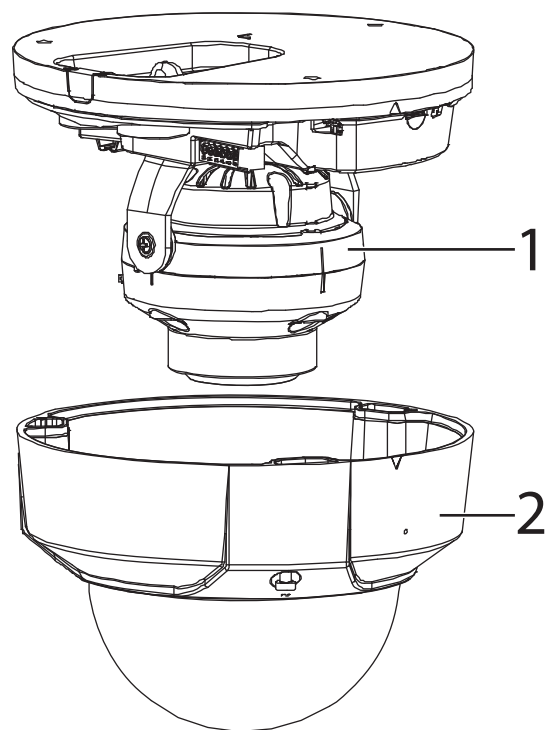


Figure 1 HD & 4MP Minidome

Camera

1. Camera
2. Dome

Additional

- 1 x Installation template
- 1 x Installation screw kit (3 x installation screws, 3 x rawl plugs)
- 1 x Inner hex wrench
- 1 x Waterproof RJ45 connector kit
- 1 x Power cable adaptor

SAFETY NOTICES

Warning

- Ensure that the power supply is switched off during installation.
- When installing the camera, fasten it securely to the surface. A falling camera may cause personal injury.

Caution

- Only transport, store and install in suitable environments. For more information, see the User Guide.
- Using the incorrect voltage or using two power supplies at the same time can irrevocably damage the camera. Ensure that the correct voltage is used for the auxiliary power supply.
- The camera has been certified for internal use only. Cable runs for cameras should only be run within a building.
- Incorrect installation may result in water ingress into the camera. Ensure you install the camera correctly to ensure the unit is watertight.
- For security reasons, you must change the camera's default username and password.
- Ensure each camera has a unique IP address.

Notices

Read this guide before installing the camera.

CONNECTIONS

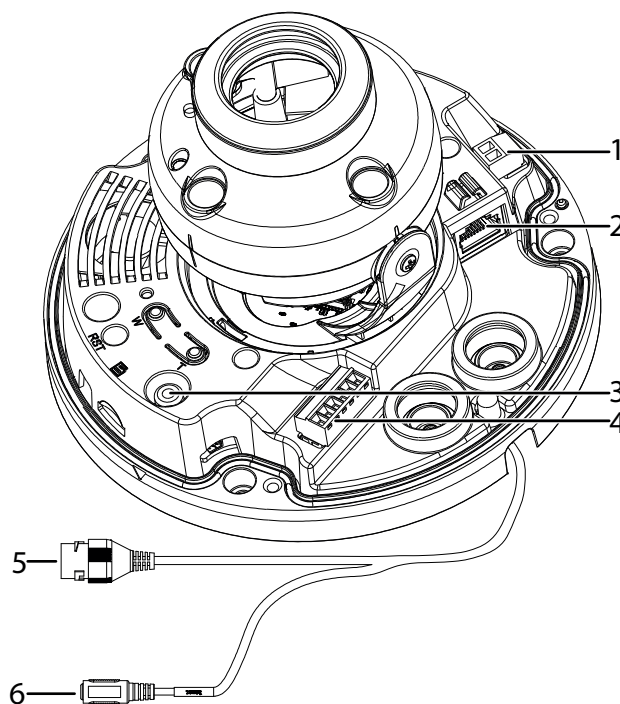


Figure 2 HD & 4MP Minidome connections

The camera is fitted with a preterminated cable bundle for easy installation. The preterminated cable bundle is connected to Power (1) and Network port (2) connections which can be disconnected if a direct connection to the camera is required.

Table 1: Pin connections

	Description
1	Power (DC 12V or AC24V)
2	Network port (LAN)
3	Video output
4	Terminal block:
	Pin 1: Alarm OUT1
	Pin 2: Alarm GND
	Pin 3: Alarm IN1
	Pin 4: GND
	Pin 5: Audio IN1
	Pin 6: Audio OUT1

Table 2: Bundle connections

No.	Definition
5	Network port (LAN)
6	Power (DC 12V or AC24V)

REGULATORY

- EN 50130-4
- EN 55022 Class A
- EN 61000-3-2, EN 61000-3-3
- EN 61000-4-2, EN 61000-4-3, EN 61000-4-4, EN 61000-4-5, EN 61000-4-6, EN 61000-4-11
- FCC Part 15, Subpart B Class A
- IEC60068-2-6 (Sine Vibration), IEC60068-2-27 (Shock)
- UL60950



COPYRIGHT © INDIGOVISION LIMITED. ALL RIGHTS RESERVED.
 INDIGOVISION, INDIGOULTRA, INDIGOPRO, AND INDIGOLITE ARE REGISTERED TRADEMARKS OF INDIGOVISION LIMITED. CAMERA GATEWAY AND INTEGRA ARE UNREGISTERED TRADEMARKS OF INDIGOVISION LIMITED. ALL OTHER PRODUCT NAMES REFERRED TO IN THIS MANUAL ARE TRADEMARKS OF THEIR RESPECTIVE OWNERS.
 THIS MANUAL IS PROVIDED WITHOUT EXPRESS REPRESENTATION AND/OR WARRANTY OF ANY KIND.
 PLEASE CONTACT INDIGOVISION LIMITED (EITHER BY POST OR BY E-MAIL AT TECHNICAL.SUPPORT@INDIGOVISION.COM) WITH ANY SUGGESTED CORRECTIONS AND/OR IMPROVEMENTS TO THIS MANUAL.

CONTACT ADDRESS

CHARLES DARWIN HOUSE,
 EDINBURGH TECHNOPOLE,
 EDINBURGH, EH26 0PY, UK

FURTHER INFORMATION

FOR FURTHER INFORMATION, SEE THE PARTNER PORTAL:
[HTTPS://PARTNERS.INDIGOVISION.COM](https://partners.indigovision.com)
 ALTERNATIVELY, SCAN THE QR CODE BELOW.



Document ID: IU-DOM-MAN027-4

1. POWERING UP THE CAMERA

The camera is a Power over Ethernet (PoE) - Class 0 powered device compliant with the IEEE802.3af standard.

If PoE is not available the camera can be powered using the auxiliary power.

The camera can be powered by the following:

- Power over Ethernet (PoE) switch
- PoE injector/midspan (Part Number 130176)
- Camera only: 12V DC (at 0.33A) / 24V AC (at 0.17A) with a maximum power of 4 Watts
- Including the heater: 12V DC (at 1A) / 24V AC (at 0.5A) with a maximum power of 12 Watts

A suitable power supply must be ordered separately.

2. CONFIGURING THE CAMERA

Before you connect the camera to your network, you must configure the camera's IP address and subnet mask appropriately.

Configure the settings

1. Connect the camera to a PC via a PoE switch or an Ethernet crossover cable.
2. Navigate to the camera's default IP address using a web browser, and enter the default user name and password.

Table 3: Default network settings

Default Username	Admin
Default Password	1234
Default IP Address	10.5.1.10
Default Subnet Mask	255.0.0.0
Default Gateway	10.0.0.1

3. Enter the NTP server on the **Date & Time** menu.
4. Enter a new IP address and subnet mask on the **Network** menu.
5. Select either a PAL or NTSC video standard for the country of installation using the following menu path: **Setup > General > Video standard**.

Binary I/O connections

The HD & 4MP Minidome has one binary input and one binary output. These are connected using the Alarm IO connections on the camera.

Binary input

The binary input is operated by connecting the Input directly to GND.

- 10kΩ Pull up input to 3.3V
- Normally high

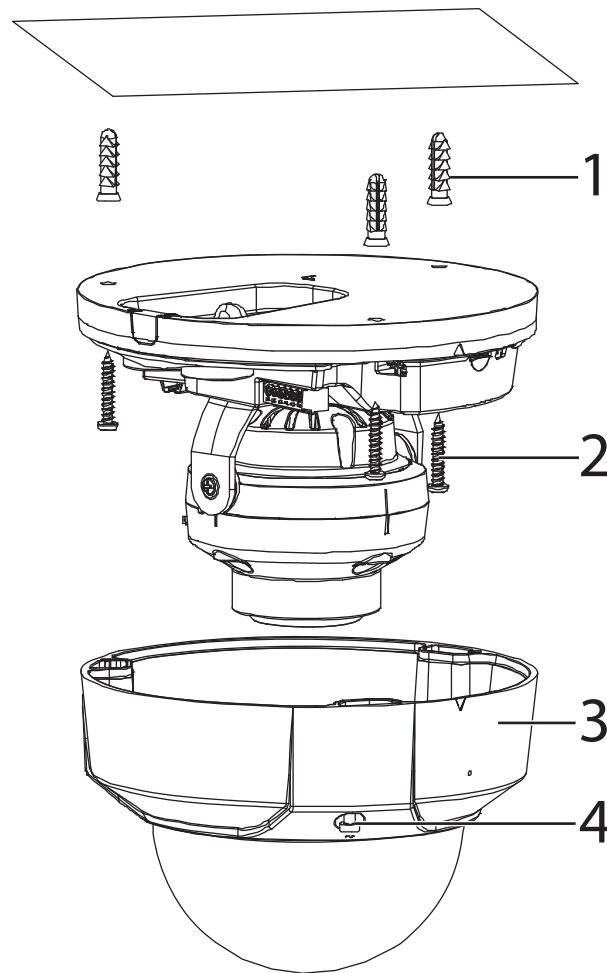
The input must be configured on the Web Configuration pages to ensure correct behavior.

Binary output

The binary output is a solid state open collector output:

- Max load voltage: 5V AC/DC
- Max current carrying capacity: 30mA

The binary output is not polarity sensitive and is normally open. This can be configured on the Web Configuration pages.



3. INSTALLATION

After you have configured your camera's IP settings, you are ready to install it in its final position.

Mounting the camera

1. Fix the Installation template in the correct location with the correct orientation for the surface, for example the ceiling.
2. Remove the 3 camera screws (4) and the camera dome (3).
3. Following the Installation template, drill 3 holes in the installation surface for the rawlplugs and one cable exit hole.
4. Insert the 3 rawlplugs (1) into the 3 holes in the installation surface and lock them firmly.
5. Pull the cables through the cable exit hole.
6. Place the camera over the 3 rawlplugs, lining these up with the holes in the camera base.
7. Insert the 3 installation screws (2) into the 3 rawlplugs (1) and fasten them firmly.

Positioning the lens

1. Rotate the camera base to angle the camera towards the required area.



Caution Do not touch the camera dome or lens directly as this may cause damage. Clean with a soft dry cloth or mild cleaning solution.

2. Carefully adjust the lens to ensure the image is the correct orientation.

Notice Ensure IR LEDs are orientated to provide illumination through the bubble when fitted, otherwise performance may be reduced due to internal reflection of IR.

3. Loosen the two locking screws on either side of the lens.
4. Tilt the lens vertically to the required position.
5. Tighten the locking screws.
6. Place the camera dome (3) back over the device and replace the 3 camera screws (4).

4. OPERATIONS

This chapter describes common tasks required for the operation of the HD & 4MP Minidome.

Micro SD Card Installation

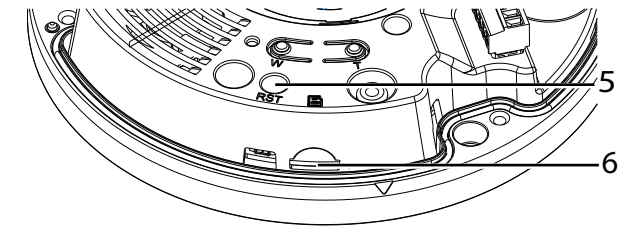


Figure 3 Micro SD card slot

1. Remove the 3 camera screws (4) and open the camera dome (3).
2. Insert the Micro SD card into the slot (6).
3. Place the camera dome back over the device and replace the 3 camera screws (4).

Focus the camera

To focus the camera, click **Setup > Camera > Conditions > Zoom and Focus** on the camera's **Configuration** page.

Reset to factory defaults

You can reset the camera settings to factory defaults using the following methods while the camera is powered:

- Press and hold the Reset button (5) on the camera for ten seconds.
- Click **Setup > System > Default > Default** on the camera's Configuration pages.