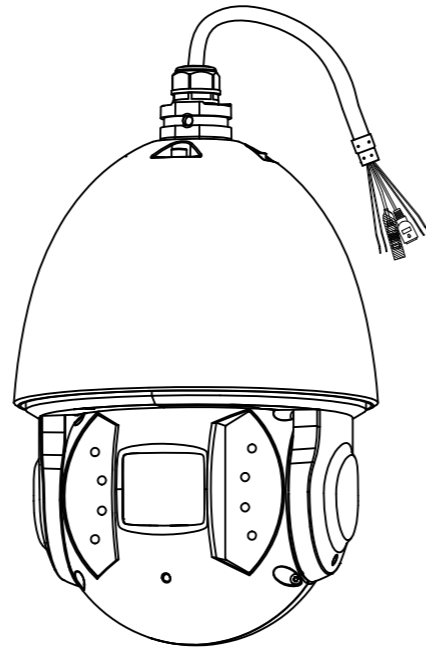


INDIGOVISION HD ADAPTIVE IR PTZ CAMERA BX RANGE

QUICK START GUIDE

PACKAGE CONTENTS



Contents

- 1 x HD Adaptive IR PTZ camera
- Safety lanyard
- 1 x 1.5" straight thread adapter
 - 3 x M6 screws
 - 1 x Spring washer
- 1 x Wall mount bracket
 - 1 x Waterproof mount seal
 - 1 x M4 locking screw
- Waterproof RJ45 connector kit
- Thread tape
- Allen key

SAFETY NOTICES

Warning

- ⚠ *Ensure the power supply is switched off during installation.*
- ⚠ *When installing the mount, fasten it securely to the surface. A falling camera may cause personal injury.*
- ⚠ *Ensure the safety lanyard is secured correctly between the camera and mount. A falling camera may cause personal injury.*

Caution

- ⚠ *Only install in suitable environments. For more information, see the User Guide.*
- ⚠ *Handle the camera with care so the main electronics and components are not damaged.*
- ⚠ *For security reasons, you must change the camera's default username and password.*
- ⚠ *Ensure each camera has a unique IP address.*
- ⚠ *When handling the camera, support the dome body. Do not hold the camera by the cable bundle.*

Notices

Read this guide before installing the camera.



Document ID: IU-PTZ-MAN023-2

CONNECTIONS

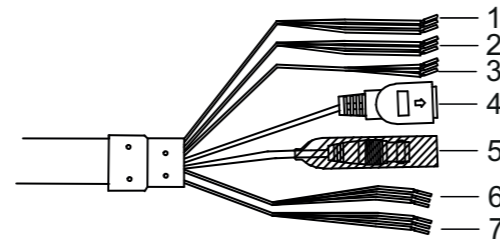


Figure 1 Cable connections

Table 1: Pin connections

Name	Description
1 Alarm In	IN 1 Red
	IN 2 Brown
	IN 3 Gray
	IN 4 Light Green
	IN 5 Purple
	IN 6 White
	IN 7 Yellow/Black

Name	Description
2 Alarm Out	COM 1 Green
	OUT 1 Blue
	COM 2 Pink
	OUT 2 Black
	GND Yellow/Green
3 Power	AC 24v Red
	AC 24v Black
	GND Yellow/Green
4 RJ45	Network port
5 Video	BNC Video output port
6 RS485	A+ Yellow
	B- Orange
7 Audio	IN White
	OUT Red
	GND Black

REGULATORY

- EN 55022 Class A
- EN 61000-3-2
- EN 61000-3-3
- FCC Part 15 Subpart B Class A
- EN 50130-4
- EN61000-4-2, EN61000-4-3, EN61000-4-4, EN61000-4-5, EN61000-4-6, EN61000-4-11
- IEC60068-2-27 (Shock)
- IEC60068-2-6 (Sine Vibration)
- UL60950-22



COPYRIGHT © INDIGOVISION LIMITED. ALL RIGHTS RESERVED.

INDIGOVISION IS A TRADEMARK OF INDIGOVISION LIMITED AND IS REGISTERED IN CERTAIN COUNTRIES. SMS4, CAMERA GATEWAY, AND MOBILE CENTER ARE UNREGISTERED TRADEMARKS OF INDIGOVISION LIMITED. ALL OTHER PRODUCT NAMES REFERRED TO IN THIS MANUAL ARE TRADEMARKS OF THEIR RESPECTIVE OWNERS.

THIS MANUAL IS PROVIDED WITHOUT EXPRESS REPRESENTATION AND/OR WARRANTY OF ANY KIND.

PLEASE CONTACT INDIGOVISION LIMITED (EITHER BY POST OR BY E-MAIL AT PARTNER.SUPPORT@INDIGOVISION.COM) WITH ANY SUGGESTED CORRECTIONS AND/OR IMPROVEMENTS TO THIS MANUAL.

CONTACT ADDRESS

CHARLES DARWIN HOUSE,
EDINBURGH TECHNOPOLE,
EDINBURGH, EH26 0PY, UK

FURTHER INFORMATION

YOU CAN DOWNLOAD A COPY FROM:

WWW.INDIGOVISION.COM/HD-ADAPTIVE-IR-PTZ-CAMERA-QUICKSTARTGUIDE

ALTERNATIVELY, SCAN THE QR CODE BELOW.



1. POWERING UP THE CAMERA

The camera is a Hi-PoE (60W) (Power over Ethernet) powered device. It must be powered using an IndigoVision POE+ Injector only, 75W POE+ (Part Number 130176)

If Hi-PoE (60W) is not available the camera can be powered using the auxiliary power.

The camera can be powered by the following:

- PoE injector/midspan
- Auxiliary power supply
 - Camera only: 24V AC at (2A initial startup and resting at 1A) with a maximum power of 20 Watts
 - Including the heater: 24V AC (at 3A) with a maximum power of 43 Watts

The camera should only be powered from the specified voltage.

2. CONFIGURING THE CAMERA

Before you connect the camera to your network, you must configure the camera's IP address and subnet mask appropriately.

Configure the settings

- Connect the camera to a PC via a PoE switch or an Ethernet crossover cable.
- Navigate to the camera's default IP address using a web browser, and enter the default user name and password.

Table 2: Default network settings

Default Username	Admin
Default Password	1234
Default IP Address	10.5.1.10
Default Subnet Mask	255.0.0.0
Default Gateway	10.0.0.1

- Enter the NTP server and port on the **Setup > System > General > Date&Time** menu.
- Enter a new IP address and subnet mask on the **Setup > Network > TCIP/IP** menu.
- Select the video standard for your region using the **Video Standard** option on the **Setup > System > General** menu. Choose **PAL** for countries with 50Hz power frequency and **NTSC** for countries with 60Hz power frequency.

3. INSTALLATION

Fixing the mount

The HD Adaptive IR PTZ camera can be mounted using a Wall mount bracket or back box.

Use the bracket base as a template to mark a mounting position on the required surface, and then affix the bracket to the surface using expansion bolts.

Fitting the camera to the mount

- Apply thread tape (3) to the thread of the straight thread adapter (4), and screw it into the socket of the Wall mount (1).
- Secure the straight thread adapter using the M4 screw (2).
- Connect the Safety lanyard to the mount (6).



Ensure the safety lanyard is secured correctly between the camera and mount. A falling camera may cause personal injury.

- Run the cables through the mount, and connect them to the camera.
- Align the straight edges of the camera attachment and the straight thread adapter, then insert the camera attachment into the NPT adapter.
- Screw the M6 (5) screws with spring washer into the hole on the straight edge of the straight thread adapter.
- Secure the camera to the straight thread adapter using the remaining M6 screws.

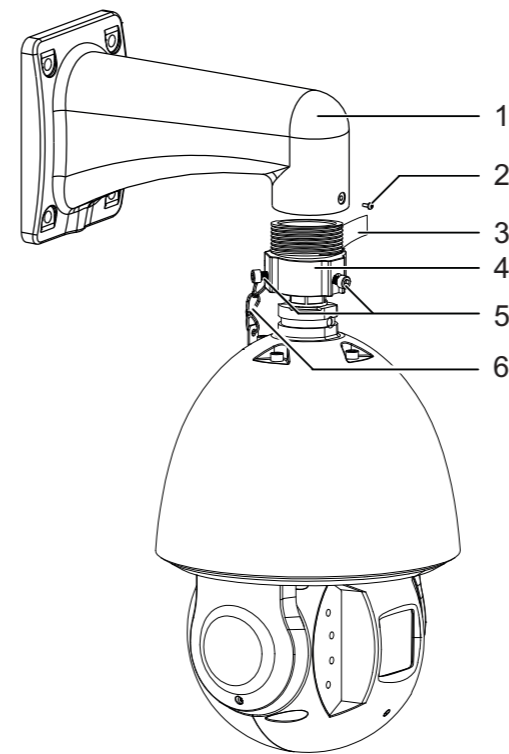


Figure 2 Installing the camera

4. OPERATIONS

Installing a Micro SD card

- Remove the switch panel cover (2) on the rear of the camera.
- Insert a micro-SD card into the card slot (1).
- Reattach the switch panel cover.

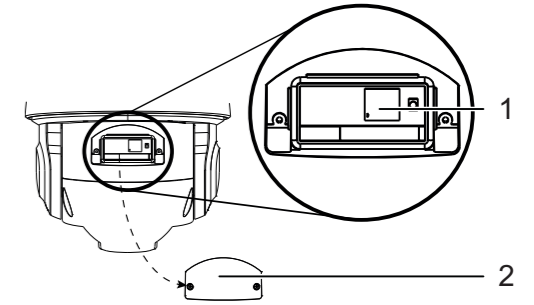


Figure 3 Installing the micro SD card