

INDIGOVISION

4K BULLET CAMERA

BX RANGE

QUICK START GUIDE

PACKAGE CONTENTS

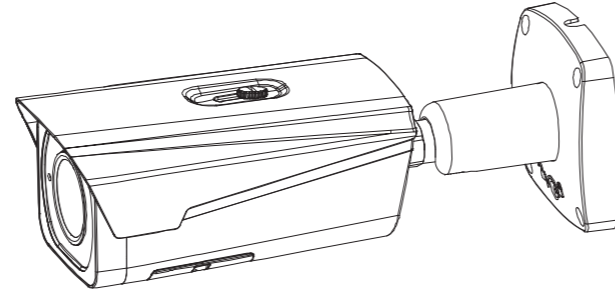


Figure 1 4K Bullet Camera

Camera

1. 4K Bullet Camera

Additional

- 1x Waterproof RJ45 connector kit
- 1x Screw kit (4x screws, 4x rawl plugs)
- 1x Torx Wrench
- 1x Power Cable Adaptor
- 1x BNC Cable Adaptor
- 1x Installation template
- 1x Quick Start Guide

SAFETY NOTICES

Warning

- ⚠ Ensure that the camera is disconnected from the network, or that PoE power is disabled, during installation.
- ⚠ When installing the camera, fasten it securely to the surface. A falling camera may cause personal injury.
- ⚠ Do not dismantle the device or attempt repairs yourself. Repairs must be done by IndigoVision Limited representatives.
- ⚠ Ensure that the power supply conforms to the SELV (Safety Extra Low Voltage) safe level.

Caution

- ⚠ Handle the camera with care, supporting the body. Ensure that the main electronics and components are not damaged. Do not hold the camera by the cable bundle. Only transport, store and install in suitable environments.
- ⚠ For security reasons, you must change the camera's default username and password. Ensure each camera has a unique IP address.
- ⚠ Using the incorrect voltage or two power supplies at the same time can damage the camera. Ensure that the correct voltage is used.
- ⚠ Do not aim at strong light, such as sunlight or electric lighting.
- ⚠ Ensure that you install the network cable in a location where it will not be trampled or crushed.
- ⚠ Incorrect installation may result in water ingress into the camera. Ensure you install the camera correctly to ensure the unit is watertight.



Document ID: IU-FIX-MAN020-2

CONNECTIONS

The camera is fitted with a preterminated cable bundle for easy installation.

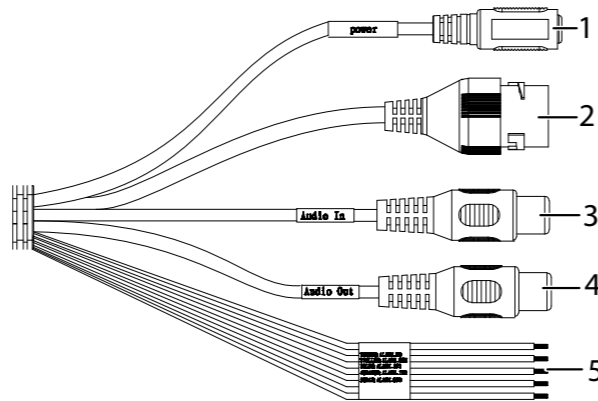


Figure 2 Cable bundle

Table 1: Connections

No.	Description
1	Power IN
2	Ethernet port
3	Audio IN
4	Audio OUT
5	I/O connections

Table 2: I/O connection wiring

No.	Port	Description
1	ALARM_NO	Alarm output (Normal open) Must be used with ALARM_COM port
2	ALARM_COM	Alarm output
3	ALARM_IN1	Alarm input 1
4	ALARM_IN2	Alarm input 2
5	GND	Ground port

REGULATORY

- EN 61000-3-2
- EN 61000-3-3
- FCC Part 15 Subpart B Class A
- EN 50130-4
- EN 55032 Class A
- EN 55032 Class B
- EN 55024
- UL 60950
- EN 60068-2-1 : 2007
- EN 60068-2-2 : 2007
- EN 60068-2-30 : 2007
- EN 60068-2-6 : 2008
- EN 60068-2-64 : 2008
- EN 60068-2-27 : 2009
- EN 60529
- EN 62262
- IEC 61000-4-2
- IEC 61000-4-3
- IEC 61000-4-4
- IEC 61000-4-5
- IEC 61000-4-6
- IEC 61000-4-8
- IEC 61000-4-11
- RoHS directive 2002/95/EC



Environment

- Temperature:
 - Operating PoE+ or higher: -40°C to +60°C (-40°F to 140°F)
 - Cold start PoE+ or higher: -20°C (-4°F)
 - Storage: 0°C to +50°C (32°F to 122°F)
 - Operating PoE: -10°C to +60°C (14°F to 140°F)
 - Cold start PoE: -10°C (14°F)
- Maximum humidity: 95%

COPYRIGHT © INDIGOVISION LIMITED. ALL RIGHTS RESERVED.
INDIGOVISION, INDIGOULTRA, INDIGOPRO, AND INDIGOLITE ARE REGISTERED TRADEMARKS OF INDIGOVISION LIMITED. CAMERA GATEWAY AND INTEGRA ARE UNREGISTERED TRADEMARKS OF INDIGOVISION LIMITED. ALL OTHER PRODUCT NAMES REFERRED TO IN THIS MANUAL ARE TRADEMARKS OF THEIR RESPECTIVE OWNERS.
THIS MANUAL IS PROVIDED WITHOUT EXPRESS REPRESENTATION AND/OR WARRANTY OF ANY KIND.

PLEASE CONTACT INDIGOVISION LIMITED (EITHER BY POST OR BY E-MAIL AT TECHNICAL.SUPPORT@INDIGOVISION.COM) WITH ANY SUGGESTED CORRECTIONS AND/OR IMPROVEMENTS TO THIS MANUAL.

CONTACT ADDRESS

CHARLES DARWIN HOUSE,
EDINBURGH TECHNOPOLE,
EDINBURGH, EH26 0PY, UK

FURTHER INFORMATION

FOR FURTHER INFORMATION, SEE THE PARTNER PORTAL:
[HTTPS://PARTNERS.INDIGOVISION.COM](https://partners.indigovision.com)

ALTERNATIVELY, SCAN THE QR CODE BELOW.



1. POWERING UP THE CAMERA

The camera is a Power Over Ethernet (PoE) powered device compliant with the IEEE 802.3at standard.

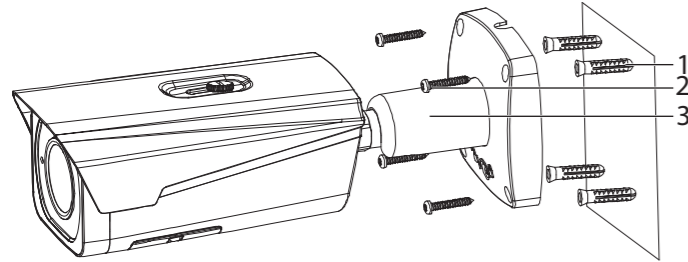
If PoE+ is not available the camera can be powered using the auxiliary power.

The camera can be powered by the following:

- Power over Ethernet (PoE+) switch
- PoE+ injector/midspan
- Auxillary power supply
 - 12V DC with a maximum power of 19 Watts

The camera should only be powered from the specified voltage.

A suitable power supply can be ordered separately (Part numbers: High PoE Injector 130176, auxiliary power supply 110068).



2. CONFIGURING THE CAMERA

Before you connect the camera to your network, you must configure the camera's IP address and subnet mask appropriately.

Configure the settings

1. Connect the camera to a PC using an Ethernet cable.



Ensure that each camera has a unique IP address.

2. Navigate to the camera's default IP address using a web browser, and enter the default user name and password.

Table 3: Default network settings

Default Username	Admin
Default Password	1234
Default IP Address	10.5.1.10
Default Subnet Mask	255.0.0.0
Default Gateway	10.0.0.1

3. Enter the NTP server and port on the **Setup > System > General > Date&Time** menu.
4. Enter a new IP address and subnet mask on the **Setup > Network > TCIP/IP** menu.
5. Select the video standard for your region using the **Video Standard** option on the **Setup > System > General** menu. Choose **PAL** for countries with 50Hz power frequency and **NTSC** for countries with 60Hz power frequency.

3. INSTALLATION

After you have configured your camera's IP settings, you are ready to install it in its final position.

Mounting the camera

1. Fix the Installation template in the correct location with the correct orientation for the surface, for example, ceiling or wall.
2. Following the Installation template, drill 4 holes in the installation surface for the rawlplugs.
3. Insert the 4 rawlplugs (1) into the holes in the installation surface.
4. Align the base of the camera (3) over the rawlplugs.
5. Insert the screws (2) into the rawlplugs and fasten them firmly.
6. Connect the cable bundle.
7. Adjust the position of the camera as required by loosening the adjustment screw (5).

Ensure you fasten the adjustment screw securely after making any adjustment.

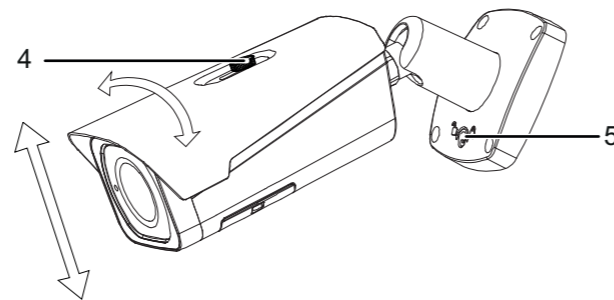


Figure 3 Adjustment screws

8. Adjust the sunshade as required by loosening the adjustment screw on sunshade (4).

Ensure you fasten the adjustment screw securely after making any adjustment.

Monitoring video during installation

To ensure the camera is aligned correctly, use the BNC cable adapter to connect the camera to a monitor. This allows you to view the camera picture during installation.

Open the panel on the underside of the camera and connect the BNC cable adapter to the BNC port if required for setup.

Focus the camera

To focus the camera, click **Setup > Camera > Conditions > Zoom and Focus** on the camera's **Configuration** page.

Binary I/O connections

The 4K Bullet Camera has two binary inputs and one binary output. These are connected using the Alarm IO connections on the camera.

Binary input

The binary input is operated by connecting the Input directly to GND.

- 10kΩ Pull up input to 3.3V
- Normally high

The input must be configured on the Web Configuration pages to ensure correct behavior.

Binary output

The binary output is a solid state open collector output:

- Max load voltage: 5V AC/DC
- Max current carrying capacity: 30mA

The binary output is not polarity sensitive and is normally open. This can be configured on the Web Configuration pages.

4. OPERATIONS

This chapter describes common tasks required for the operation of the 4K Bullet Camera.

SD card installation

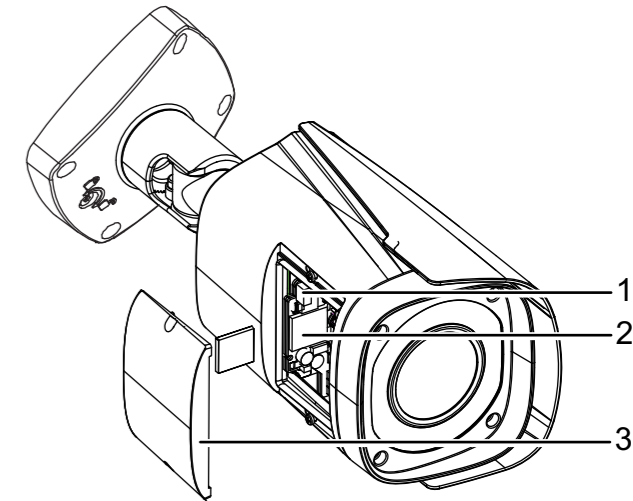


Figure 4 SD card installation

1. Switch off the camera and disconnect the power.
2. Remove the lower panel (3).
3. Insert the SD card into the SD card slot (2).
4. Replace the lower panel and reconnect the power.

Configuring the camera

You can access the camera configuration pages using the IP address of the camera.

Alternatively, you can access these pages through IndigoVision Limited Control Center.

1. In Setup view, select the camera you want to configure.
2. Select the **Configure** tab, and enter a valid user name and password if required.

Reset to factory defaults

You can reset the camera settings to factory defaults using the following methods while the camera is powered:

- Press and hold the Reset button (1) on the camera for ten seconds.
- Click **Setup > System > Default > Full Restore** on the camera's Configuration pages.