

INDIGOVISION

BX430 MICRODOME CAMERA

BX RANGE

IN-CEILING VARIANT

QUICK START GUIDE

PACKAGE CONTENTS

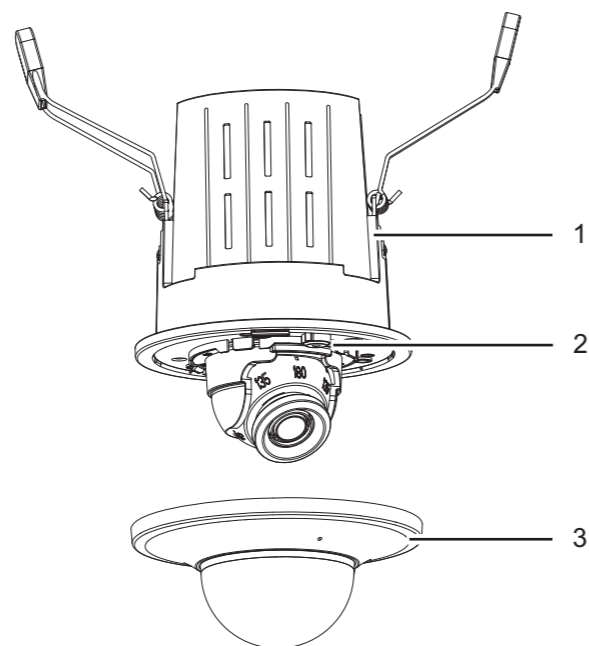


Figure 1 BX430 In-Ceiling Microdome

Camera

1. Camera
2. Microphone
3. Dome

Additional items

- 1 x Installation template
- 1 x Power cable adapter
- 1 x Quick Start Guide

SAFETY NOTICES

Warning

- ⚠ Ensure the power supply is switched off during installation.
- ⚠ When installing the camera, fasten it securely to the surface. A falling camera may cause personal injury.
- ⚠ Do not dismantle the device or attempt repairs yourself. Repairs must be done by IndigoVision representatives.
- ⚠ Ensure that the power supply conforms to the SELV (Safety Extra Low Voltage) safe level.

Caution

- ⚠ Only transport, store and install in suitable environments.
- ⚠ Handle the camera with care so its components are not damaged.
- ⚠ For security reasons, you must change the camera's default credentials.
- ⚠ Ensure each camera has a unique IP address.
- ⚠ Using the incorrect voltage or two power supplies at the same time can damage the camera. Ensure that the correct voltage is used.
- ⚠ The camera has been certified for internal use only. Cable runs for cameras should only be run within a common building.
- ⚠ Do not aim at strong light, such as sunlight or electric lighting.
- ⚠ Install the network cable in a location where it will not be trampled or crushed.



Document ID: IU-DOM-MAN033-2

CONNECTIONS

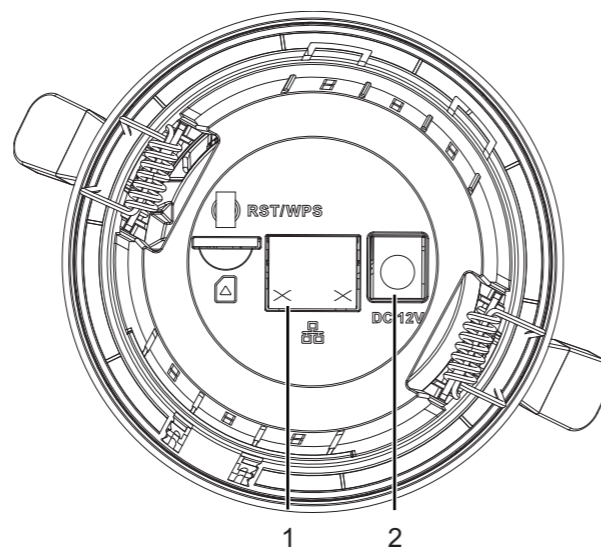


Figure 2 BX430 In-Ceiling Microdome connections

Table 1: Camera connections

No.	Description
1	Network port (LAN)
2	Power (DC 12V)

REGULATORY

- EN 55022
- EN 55024
- EN 55032 Class B
- EN 61000-3-2
- EN 61000-3-3
- FCC Part 15 Subpart B Class A
- EN 50130-4
- RoHS directive 2002/95/ECx
- EN60068-2-27: 2009
- EN60068-2-6: 2008
- EN60068-2-64: 2008
- EN60068-2-1: 2007
- EN60068-2-2: 2007
- EN60068-2-30: 2007
- EN 62262



Environment

- Temperature:
 - Operating: -10°C to +45°C (-14°F to 113°F)
 - Cold start: -10°C (-14°F)
 - Storage: 0°C to +50°C (32°F to 122°F)
- Maximum humidity: 95%

COPYRIGHT © INDIGOVISION LIMITED. ALL RIGHTS RESERVED. INDIGOVISION, INDIGOULTRA, INDIGOPRO, AND INDIGOLITE ARE REGISTERED TRADEMARKS OF INDIGOVISION LIMITED. CAMERA GATEWAY, AND MOBILE CENTER ARE UNREGISTERED TRADEMARKS OF INDIGOVISION LIMITED. ALL OTHER PRODUCT NAMES REFERRED TO IN THIS MANUAL ARE TRADEMARKS OF THEIR RESPECTIVE OWNERS.

THIS MANUAL IS PROVIDED WITHOUT EXPRESS REPRESENTATION AND/OR WARRANTY OF ANY KIND.

PLEASE CONTACT INDIGOVISION LIMITED (EITHER BY POST OR BY E-MAIL AT TECHNICAL.SUPPORT@INDIGOVISION.COM) WITH ANY SUGGESTED CORRECTIONS AND/OR IMPROVEMENTS TO THIS MANUAL.

CONTACT ADDRESS

CHARLES DARWIN HOUSE,
EDINBURGH TECHNOPOLE,
EDINBURGH, EH26 0PY, UK

FURTHER INFORMATION

FOR FURTHER INFORMATION, SEE THE USER GUIDE:

YOU CAN DOWNLOAD A COPY FROM:

WWW.INDIGOVISION.COM/BX400-USERGUIDE

ALTERNATIVELY, SCAN THE QR CODE BELOW.



1. POWERING UP THE CAMERA

The camera is a Power Over Ethernet (PoE) powered device compliant with the IEEE 802.3af standard.

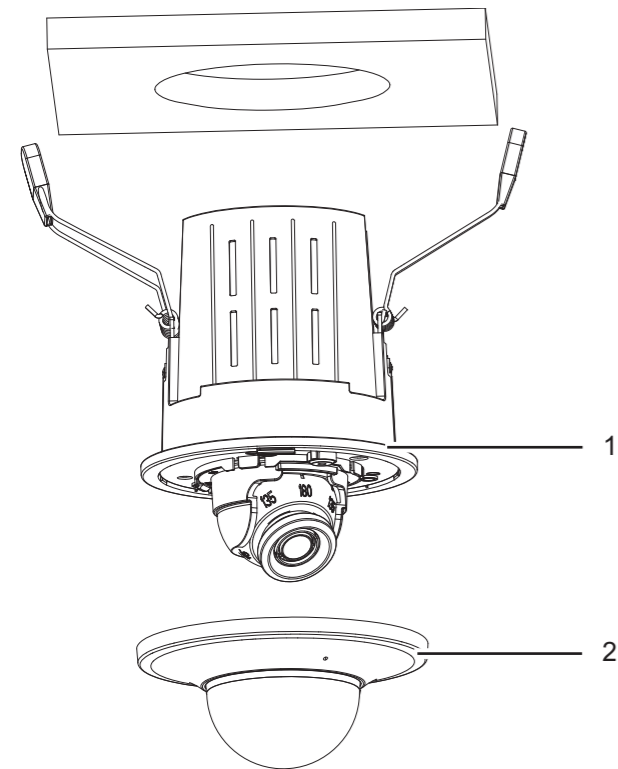
If PoE is not available the camera can be powered using the auxiliary power.

The camera can be powered by the following:

- Power over Ethernet (PoE) switch
- PoE injector/midspan
- Auxiliary power supply
 - 12VDC

The camera should only be powered from the specified voltage.

A suitable power supply can be ordered separately (Part numbers: PoE Injector 130176, auxiliary power supply 110068).



2. CONFIGURING THE CAMERA

Before you connect the camera to your network, you must configure the camera's IP address and subnet mask appropriately.

Configure the settings

1. Connect the encoder to a PC using an Ethernet cable.



Ensure that each camera has a unique IP address.

2. Navigate to the encoder's default IP address using a web browser, and enter the default user name and password.

Table 2: Default network settings

Default Username	Admin
Default Password	1234
Default IP Address	10.5.1.10
Default Subnet Mask	255.0.0.0
Default Gateway	10.0.0.1

3. Enter the NTP server and port on the **Setup > System > General > Date&Time** menu.
4. Enter a new IP address and subnet mask on the **Setup > Network > TCIP/IP** menu.
5. Select the video standard for your region using the **Video Standard** option on the **Setup > System > General** menu. Choose **PAL** for countries with 50Hz power frequency and **NTSC** for countries with 60Hz power frequency.

3. INSTALLATION

This section details how to install the BX430 In-Ceiling Microdome on a solid surface, such as a wall or ceiling, using a suitable stand, or in a suitable housing. The camera will autofocus after installation.

Notice Before installing the camera in its final position, you must first configure its IP settings. For more information, see "Configure the settings"

Mounting the camera

1. Fix the Installation template in the correct location with the correct orientation for the surface, for example the ceiling.
2. Remove the magnetically secured camera lid (2).
3. Following the Installation template, cut a hole in the installation surface.
4. Insert the camera (1) into the hole by compressing the legs of the camera together and inserting these through the hole, so that the spring tension on the legs holds the camera in place.
5. Make the appropriate connections to the camera.

Positioning the lens

1. Rotate the camera base to angle the camera towards the required area.



Do not touch the camera dome or lens directly as this may cause damage. Clean with a soft dry cloth or mild cleaning solution.

2. Carefully adjust the lens to ensure the image is the correct orientation.

3. Tilt the lens vertically to the required position.
4. Place the magnetically secured camera lid back over the device.

4. OPERATIONS

This chapter describes common tasks required for the operation of the BX430 In-Ceiling Microdome.

Micro SD Card Installation

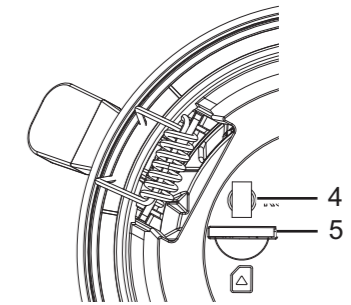


Figure 3 Micro SD card slot

1. Ensure the device is switched off.
2. Insert the Micro SD card into the slot (5).

Configuring the camera

You can access the camera configuration pages using the IP address of the camera.

Alternatively, you can access these pages through IndigoVision Control Center.

1. In Setup view, select the camera you want to configure.
2. Select the **Configure** tab, and enter a valid user name and password if required.

Reset to factory defaults

You can reset the camera settings to factory defaults using the following methods while the camera is powered:

- Press and hold the Reset button (4) on the camera for ten seconds.
- Click **Setup > System > Default > Full Restore** on the camera's Configuration pages.