

INDIGOVISION
4K MINIDOME
BX RANGE
QUICK START GUIDE

PACKAGE CONTENTS

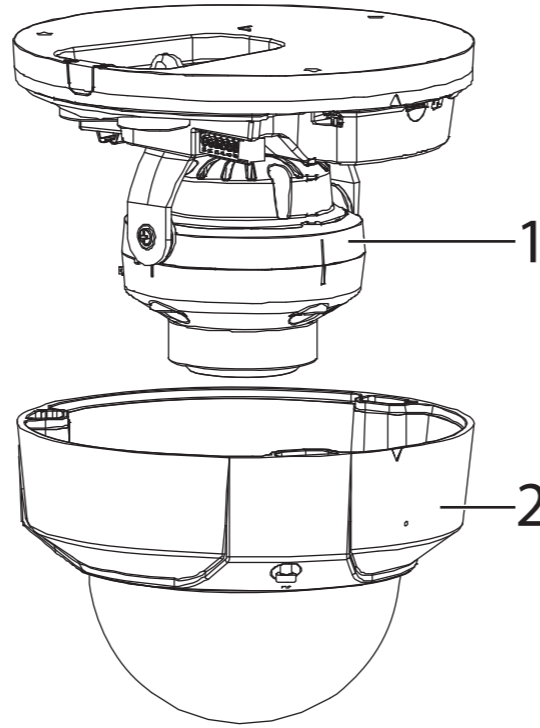


Figure 1 4K Minidome

Camera

1. Camera
2. Dome

Additional items

- 1 x Installation template
- 1 x Torx wrench
- 1 x Waterproof RJ45 connector kit
- 1 x Power cable adapter
- 1 x Fixing screws/ Kit
- 1 x Quick Start Guide

SAFETY NOTICES

Warning

- ⚠ Ensure that the camera is disconnected from the network, or that PoE power is disabled, during installation.
- ⚠ When installing the mount, fasten it securely to the surface and ensure that the safety lanyard is secured correctly between the camera and mount. A falling camera may cause personal injury.
- ⚠ Do not dismantle the device or attempt repairs yourself. Repairs must be done by IndigoVision Limited representatives.
- ⚠ Ensure that the power supply conforms to the SELV (Safety Extra Low Voltage) safe level.

Caution

- ⚠ Handle the camera with care, supporting the dome body. Ensure that the main electronics and components are not damaged. Do not hold the camera by the cable bundle. Only transport, store and install in suitable environments.
- ⚠ Using the incorrect voltage or two power supplies at the same time can damage the camera. Ensure that the correct voltage is used.
- ⚠ Incorrect installation may result in water ingress into the camera. Ensure you install the camera correctly to ensure the unit is watertight.
- ⚠ For security reasons, you must change the camera's default username and password.



Document ID: IU-DOM-MAN029-3

CONNECTIONS

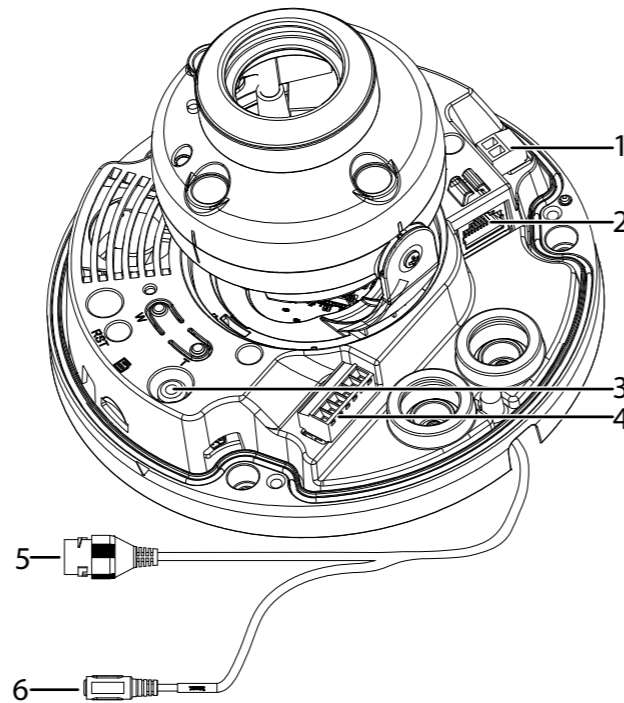


Figure 2 4K Minidome connections

The camera is fitted with a preterminated cable bundle for easy installation. The preterminated cable bundle is connected to Power (1) and Network port (2) connections which can be disconnected if a direct connection to the camera is required.

Table 1: Pin connections

Description
1 Power (DC 12V or AC24V)
2 Network port (LAN)
3 Video output
4 Terminal block: Pin 1: Alarm OUT1 Pin 2: Alarm GND Pin 3: Alarm IN1 Pin 4: GND Pin 5: Audio IN1 Pin 6: Audio OUT1

Table 2: Bundle connections

No.	Definition
5	Network port (LAN)
6	Power (DC 12V or AC24V)

REGULATORY

- EN 61000-3-2
- EN 61000-3-3
- FCC Part 15 Subpart B Class A
- EN 50130-4
- EN 55032 Class A
- EN 55024
- UL 60950
- EN 60068-2-1 : 2007
- EN 60068-2-2 : 2007
- EN 60068-2-30 : 2007
- EN 60068-2-6 : 2008
- EN 60068-2-64 : 2008
- EN 60068-2-27 : 2009
- EN 60529
- EN 62262
- IEC 61000-4-2
- IEC 61000-4-3
- IEC 61000-4-4
- IEC 61000-4-5
- IEC 61000-4-6
- IEC 61000-4-8
- IEC 61000-4-11
- RoHS directive 2002/95/EC



Environment

- Temperature:
 - Operating (PoE+ or higher): -40°C to +60°C (-40°F to 140°F)
 - Cold start (PoE+ or higher): -20°C (-4°F)
 - Operating (PoE): -10°C to +60°C (14°F to 140°F)
 - Cold start (PoE): -10°C (14°F)
 - Storage: 0°C to +50°C (32°F to 122°F)
- Maximum humidity: 95%

COPYRIGHT © INDIGOVISION LIMITED. ALL RIGHTS RESERVED.
INDIGOVISION IS A TRADEMARK OF INDIGOVISION LIMITED AND IS REGISTERED IN CERTAIN COUNTRIES. SMS4, CAMERA GATEWAY, AND MOBILE CENTER ARE UNREGISTERED TRADEMARKS OF INDIGOVISION LIMITED. ALL OTHER PRODUCT NAMES REFERRED TO IN THIS MANUAL ARE TRADEMARKS OF THEIR RESPECTIVE OWNERS.
THIS MANUAL IS PROVIDED WITHOUT EXPRESS REPRESENTATION AND/OR WARRANTY OF ANY KIND.

PLEASE CONTACT INDIGOVISION LIMITED (EITHER BY POST OR BY E-MAIL AT PARTNER.SUPPORT@INDIGOVISION.COM) WITH ANY SUGGESTED CORRECTIONS AND/OR IMPROVEMENTS TO THIS MANUAL.

CONTACT ADDRESS

CHARLES DARWIN HOUSE,
EDINBURGH TECHNOPOLE,
EDINBURGH, EH26 0PY, UK

FURTHER INFORMATION

FOR FURTHER INFORMATION, SEE THE PARTNER PORTAL:

[HTTPS://PARTNERS.INDIGOVISION.COM](https://partners.indigovision.com)

ALTERNATIVELY, SCAN THE QR CODE BELOW.



1. POWERING UP THE CAMERA

The camera is a Power Over Ethernet (PoE+) powered device compliant with the IEEE 802.3at standard.

If PoE+ is not available the camera can be powered using the auxiliary power.

The camera can be powered by the following:

- Power over Ethernet (PoE+) switch
- PoE+ injector/midspan
- Auxiliary power supply
 - 12V DC with a maximum power of 19W (1.6A)
 - 24V DC with a maximum power of 19W (0.8A)

The camera should only be powered from the specified voltage.

A suitable power supply can be ordered separately (Part numbers: PoE Injector 130176, auxiliary power supply 110068).

2. CONFIGURING THE CAMERA

Before you connect the camera to your network, you must configure the camera's IP address and subnet mask appropriately.

Configure the settings

1. Connect the camera to a PC using an Ethernet cable.



Ensure that each camera has a unique IP address.

2. Navigate to the camera's default IP address using a web browser, and enter the default user name and password.

Table 3: Default network settings

Default Username	Admin
Default Password	1234
Default IP Address	10.5.1.10
Default Subnet Mask	255.0.0.0
Default Gateway	10.0.0.1

3. Enter the NTP server and port on the **Setup > System > General > Date & Time** menu.
4. Enter a new IP address and subnet mask on the **Setup > Network > TCIP/IP** menu.
5. Select the video standard for your region using the **Video Standard** option on the **Setup > System > General** menu. Choose **PAL** for countries with 50Hz power frequency and **NTSC** for countries with 60Hz power frequency.

Binary I/O connections

The 4K Minidome has one binary input and one binary output. These are connected using the Alarm IO connections on the camera.

Binary input

The binary input is operated by connecting the Input directly to GND.

- 10kΩ Pull up input to 3.3V
- Normally high

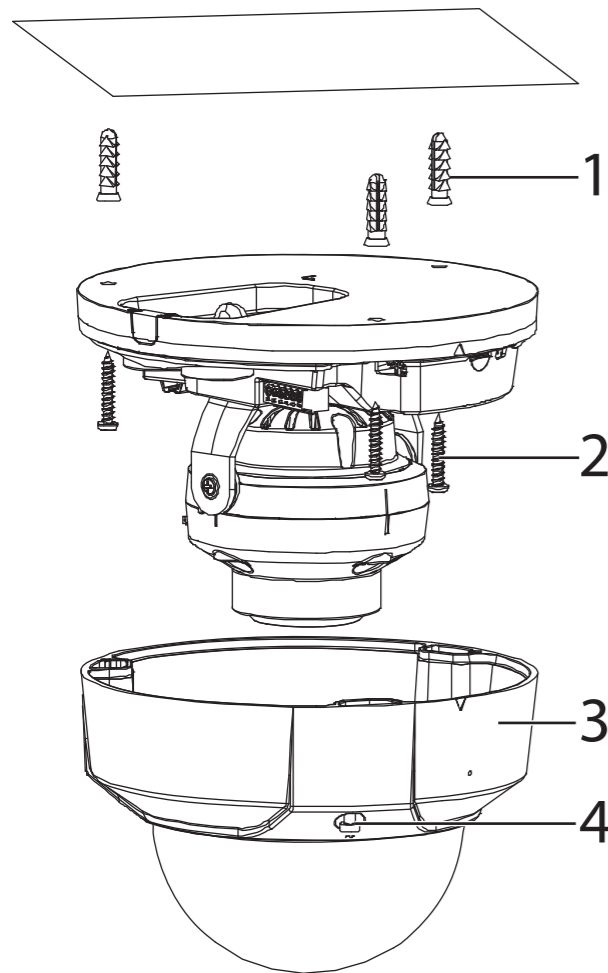
The input must be configured on the Web Configuration pages to ensure correct behavior.

Binary output

The binary output is a solid state open collector output:

- Max load voltage: 5V AC/DC
- Max current carrying capacity: 30mA

The binary output is not polarity sensitive and is normally open. This can be configured on the Web Configuration pages.



3. INSTALLATION

After you have configured your camera's IP settings, you are ready to install it in its final position.

Mounting the camera

1. Fix the Installation template in the correct location with the correct orientation for the surface, for example, ceiling or wall.
2. Remove the 3 camera screws (4) and the camera dome (3).
3. Following the Installation template, drill 3 holes in the installation surface for the rawlplugs and one cable exit hole.
4. Insert the 3 rawlplugs (1) into the 3 holes in the installation surface and lock them firmly.
5. Pull the cables through the cable exit hole.
6. Place the camera over the 3 rawlplugs, lining these up with the holes in the camera base.
7. Insert the 3 installation screws (2) into the 3 rawlplugs (1) and fasten them firmly.

Positioning the lens

1. Rotate the camera base to angle the camera towards the required area.



Do not touch the camera dome or lens directly as this may cause damage. Clean with a soft dry cloth or mild cleaning solution.

2. Carefully adjust the lens to ensure the image is the correct orientation.

Notice Ensure IR LEDs are orientated to provide illumination through the bubble when fitted, otherwise performance may be reduced due to internal reflection of IR.

3. Loosen the two locking screws on either side of the lens.
4. Tilt the lens vertically to the required position.
5. Tighten the locking screws.
6. Place the camera dome (3) back over the device and replace the 3 camera screws (4).

Focus the camera

To focus the camera, click **Setup > Camera > Conditions > Zoom and Focus** in the camera's Configuration pages.

4. OPERATIONS

This chapter describes common tasks required for the operation of the 4K Minidome.

Micro SD Card Installation

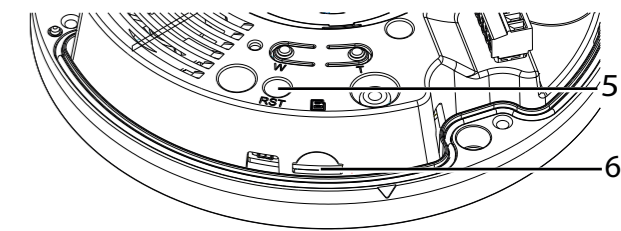


Figure 3 Micro SD card slot

1. Remove the 3 camera screws (4) and open the camera dome (3).
2. Insert the Micro SD card into the slot (6).
3. Place the camera dome back over the device and replace the 3 camera screws (4).

Configuring the camera

You can access the camera configuration pages using the IP address of the camera.

Alternatively, you can access these pages through IndigoVision Control Center.

1. In Setup view, select the camera you want to configure.
2. Select the **Configure** tab, and enter a valid user name and password if required.

Reset to factory defaults

You can reset the camera settings to factory defaults using the following methods while the camera is powered:

- Press and hold the Reset button (5) on the camera for ten seconds.
- Click **Setup > System > Default > Default** on the camera's Configuration pages.