



IndigoVision



4MP Microdome Cameras

Amazing 4 Megapixel video that delivers every detail

Part of IndigoVision's professional BX Range, the 4 Megapixel (4MP) Microdome Camera (BX430) delivers pin sharp detail at 4MP resolution that is fully ONVIF conformant. Any single point of failure in the system is removed through IndigoVision's Distributed Network Architecture (DNA).

Key Features

SENSOR



COMPRESSION



INTELLIGENCE



OTHER



PHYSICAL

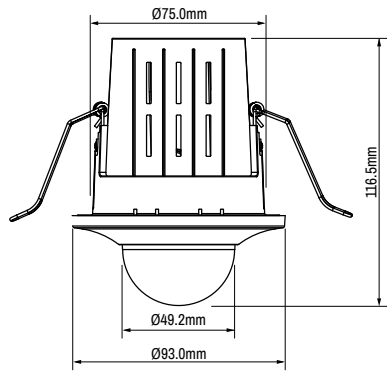


Product Codes

BX430 Microdome Cameras	Product Code
BX430 4MP In-Ceiling Microdome	611430
BX430 4MP Vandal Resistant Microdome with IR	611470

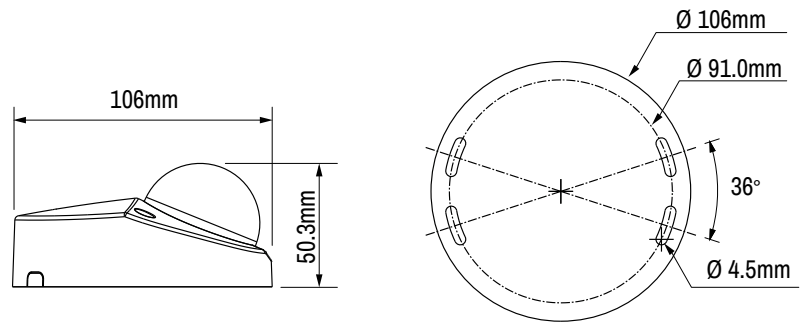
* Firmware update available from end of Q3 2019.

Dimensions: In-Ceiling



View on Side Face

Dimensions: Vandal Resistant



View on Side Face

View on Top Face

Specification

Camera Features	In-Ceiling	Vandal Resistant
Sensor	1/3" Progressive CMOS	
Active Pixels (HxV)	4MP (2688x1520)	
Minimum Sensitivity	0.1 lux (colour). 30 IRE, F2.0, 1/3s shutter 0.04 lux (mono). 30 IRE, F2.0, 1/3s shutter	0.1 lux (colour). 30 IRE, F2.0, 1/3s shutter 0.04 lux (mono). 30 IRE, F2.0, 1/3s shutter 0 lux (IR, F2.0) with IR
Dynamic Range	BLC, HLC, 120dB WDR	
Gain Control	Auto/Manual	
Back Light Compensation	On/Off/Custom ROI	
White Balance Mode	Auto/Manual	
Day/Night	Auto	True Day/Night with Mechanical IR Cut Filter
IR Illuminator	N/A	Built-in IR Illuminator 850nm wavelength, effective distance >20m
Video Resolution	2688 x 1520 (4MP), 2560 x 1440, 2304 x 1296 (3MP), 1920 x 1080 (1080P), 1280 x 960 (1.3MP), 1280 x 720 (720P)	
Signal/Noise Level	> 50dB	
Lens Options	2.8mm F2.0 Fixed Iris Horizontal view 104°	
Iris Control	Fixed Iris	
Shutter	Rolling; Auto from 1 to 1/10000 sec	
Exposure Control	Auto/Manual/Slow AE	
Gimbal Adjustment	3 axis adjustment	
Video Compression	Full frame rate, full colour: H.265/H.264/MJPEG; up to 30fps @ 1080p resolution; up to 30fps @ 4MP resolution	
Video Bit Rate	User-configurable bit rates from 24Kbps up to 10Mbps	
Video Multi-Streaming	Up to 32Mbps total video output; Unlimited multicast connections. Up to four 8Mbps unicast connections; Up to sixteen 1Mbps unicast connections	
Video Multi-Encoder	Two simultaneous resolutions including: up to 4MP (30fps) plus 1080p (9fps) or 720p (21fps) or 4SIF (30fps) or lower Or two simultaneous resolutions including: up to 3MP (30fps) plus 1080p (25fps) or 720p (30fps) or lower Or two simultaneous resolutions including: up to 1080p (30fps) plus 1080p (30fps) or lower	
Video Analytics	Motion Detection, Tripwire [^] , Intrusion [^] , Abandoned Object [^] , Missing Object [^] , Scene Change [^] , Video Tamper [^] , Defocus Detect [^] , Face Detection [^]	
Audio Compression	G.711/AAC	
Audio Bit Rate	Non user configurable, G.711 64Kbps - 80Kbps, AAC 16Kbps - 40Kbps	
Audio Resolution	G.711 8kHz sample rate, AAC 8,16,32,48kHz sample rate, Mono input	
Audio Analytics	Audio Input Abnormal [^] , Audio Intensity High [^]	
Audio Input	Built-in microphone	
Network Interface	IEEE802.3 and IETF standards: 10/100 Base-T Ethernet, TCP, UDP, RTP, RTSP, ICMP, IGMP, SNMP, HTTP, HTTPS, PPPoE, uPnP, QoS, DHCP	
Network Security	HTTPS, IP Filter, IEEE 802.1x	
CyberVigilant[®] Technology	Yes [^]	
Time	Embedded real-time clock, NTP client	
SD Storage	microSDHC 128GB support (card not included)*	
Dimensions/Weight	93mm (dia) x 116mm (h) and 0.37kg	106mm (dia) x 50.3mm (h) and 0.44kg
Regulatory	EN55032 Class A, EN55024, EN50130-4, EN61000-3-2, EN61000-3-3, EN61000-4-2, EN61000-4-3, EN61000-4-4, EN61000-4-5, EN61000-4-6, EN61000-4-8, EN61000-4-11, FCC Part 15 Subpart B Class A	
Housing	Polycarbonate/ABS with polycarbonate dome	
Protection Rating	IK08	IP67 / IK10 (IEC 62262)
Electrical	PoE (802.3af Class 0); 4W Power supply ordered separately (Product code: 110068)	PoE (802.3af Class 0); 4W
Operating Temperature	-10°C to 45°C	-20°C to 60°C
Cold Start	-10°C	-20°C
IndigoVision Software Requirements	Control Center v15.1 or later	
Supported Internet Browsers	Internet Explorer v11.0 or later	
ONVIF	Profile S	

* SDCard Storage independent of IndigoVision's NVRs.

[^] Firmware update available from end of Q3 2019.