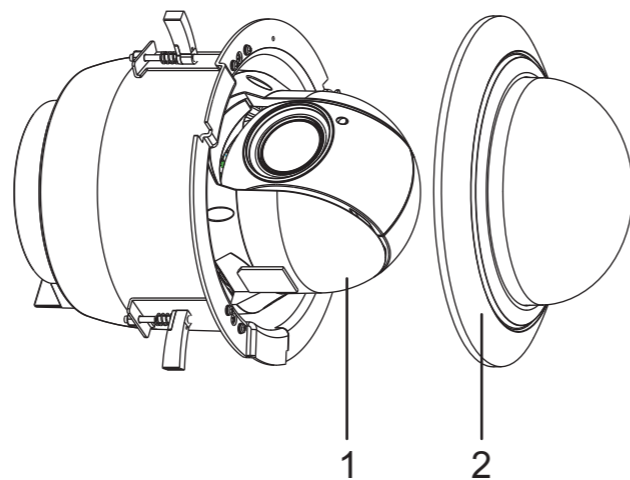


INDIGOVISION UX3520 HD IN-CEILING PTZ ULTRA X RANGE QUICK START GUIDE



Document ID: IU-PTZ-MAN032-5

PACKAGE CONTENTS



Camera

1. Camera
2. Dome

Additional

- Installation Template
- Quick start guide
- Binary connector
- 2 pin AUX connector
- 3 pin AUX connector

SAFETY NOTICES

Warning

- ⚠ Ensure the power supply is switched off, or that PoE power is disabled, during installation.
- ⚠ A falling camera can cause injury. During installation ensure the camera is attached securely to the surface.
- ⚠ Do not dismantle the device or attempt repairs yourself. Repairs must be done by IndigoVision Limited representatives.
- ⚠ Ensure that the power supply conforms to the SELV (Safety Extra Low Voltage) safe level.
- ⚠ Risk of explosion if battery is replaced by an incorrect type. Dispose of used batteries according to the instructions.

Cautions

- ⚠ Handle the camera with care, supporting the body. Ensure that the main electronics and components are not damaged. Only transport, store and install in suitable environments.
- ⚠ For security reasons, you must change the camera's default password. Ensure each camera has a unique IP address.
- ⚠ Using the incorrect voltage or two power supplies at the same time can damage the camera. Ensure the correct voltage is used.
- ⚠ Do not aim the camera at strong light such as sunlight or electric lighting.
- ⚠ Ensure that you install the network cable in a location where it will not be trampled or crushed.
- ⚠ Cameras powered by PoE have been evaluated as network environment "0" (basic insulation) and are not intended for routing outside a common building. Cable runs for cameras should only be run within a common building.

AVIS DE SÉCURITÉ

Avertissements

- ⚠ S'assurer que l'alimentation électrique est déconnectée ou que l'alimentation du PoE est désactivée pendant l'installation.
- ⚠ Une caméra qui tombe peut entraîner des blessures corporelles. Pendant l'installation, s'assurer que la caméra est fixée solidement à la surface.
- ⚠ Ne pas démonter l'appareil ou tenter d'y effectuer des réparations par vous-même. Les réparations doivent être effectuées par un représentant IndigoVision Limited.
- ⚠ S'assurer que l'alimentation électrique correspond au niveau sécuritaire SELV (très basse tension de sécurité).
- ⚠ Risque d'explosion si la pile est remplacée par un type de pile incorrect. En ce qui concerne les piles usées, se conformer aux instructions du fabricant.

Attention

- ⚠ Manipuler la caméra avec soin, en soutenant le boîtier. S'assurer que les principales pièces électroniques et composants ne sont pas endommagés. Ne transporter, entreposer et installer que dans des environnements appropriés.
- ⚠ Pour des raisons de sécurité, vous devez modifier le mot de passe de la caméra, créé par défaut. S'assurer que chaque caméra dispose d'une adresse IP unique.
- ⚠ Utiliser la tension inappropriée ou deux blocs d'alimentation en même temps peut endommager la caméra. S'assurer que la tension utilisée soit correcte.
- ⚠ Ne pas viser la caméra vers une lumière forte comme la lumière du soleil ou un éclairage électrique.
- ⚠ S'assurer d'installer le câble réseau dans un emplacement où il ne sera pas piétiné ou écrasé.
- ⚠ Les caméras alimentées par PoE ont été évaluées comme environnement réseau « 0 » (isolation de base) et ne sont pas prévues pour être utilisées à l'extérieur d'un bâtiment. Les conduites de câbles pour les caméras ne doivent être passées qu'à l'intérieur d'un bâtiment.

CONNECTIONS

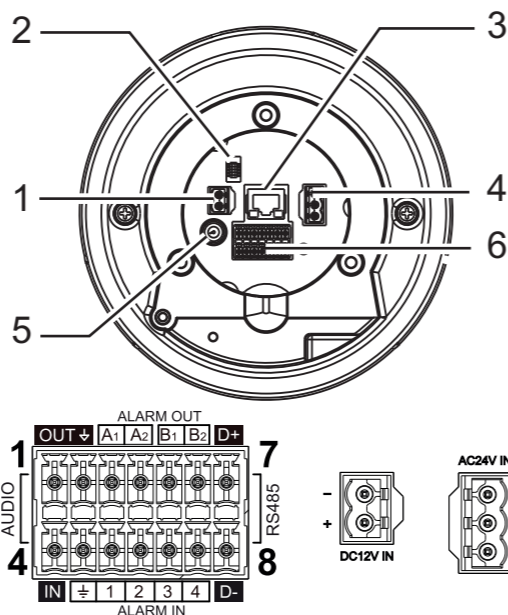


Table 1: Pin connections

Number	Definition	Pin	Description
1	DC Power	1	12V DC -
		2	12V DC +
2	NA		

Number	Definition	Pin	Description
3	Network		RJ45 (with PoE+)
4	AC/DC Power	1	24V AC / 30V DC - L
		2	Earth
		3	24V AC / 30V DC - N
5	BNC Connector		Analog video
6	Alarm I/O & RJ485	1	Audio out
		2	Audio GND
		3	Alarm COM 1
		4	Alarm Out 1
		5	Alarm COM 2
		6	Alarm Out 2
		7	RS485 A
		8	RS485 B
		9	Alarm In 4
		10	Alarm In 3
		11	Alarm In 2
		12	Alarm In 1
		13	Alarm GND
		14	Audio In

REGULATORY

- EN 61000-3-2
- EN 61000-3-3
- CFR 47 FCC Part 15 Subpart B
- EN 55032
- EN 50130-4
- UL 2043
- UL 60950-1
- EN 60068-2-1 : 2007
- EN 60068-2-2 : 2007
- EN 60068-2-30 : 2007
- EN 60068-2-6 : 2008
- EN 60068-2-64 : 2008
- EN 60068-2-27 : 2009
- EN 61000-6-4
- RoHS directive 2002/95/EC



Environment

Temperature:

- Operating: -10°C to +50°C (14°F to 140°F)
- Cold start: -10°C (14°F)
- Storage: 0°C to +50°C (32°F to 122°F)

Maximum humidity: 90%

COPYRIGHT © INDIGOVISION LIMITED. ALL RIGHTS RESERVED.
INDIGOVISION, INDIGOULTRA, INDIGOPRO, INDIGOLITE, INTEGRA AND CYBERVIGILANT ARE REGISTERED TRADEMARKS OF INDIGOVISION LIMITED. CAMERA GATEWAY IS AN UNREGISTERED TRADEMARK OF INDIGOVISION LIMITED. ALL OTHER PRODUCT NAMES REFERRED TO IN THIS MANUAL ARE TRADEMARKS OF THEIR RESPECTIVE OWNERS.

THIS MANUAL IS PROVIDED WITHOUT EXPRESS REPRESENTATION AND/OR WARRANTY OF ANY KIND.

PLEASE CONTACT INDIGOVISION LIMITED (EITHER BY POST OR BY E-MAIL AT TECHNICAL.SUPPORT@INDIGOVISION.COM) WITH ANY SUGGESTED CORRECTIONS AND/OR IMPROVEMENTS TO THIS MANUAL.

CONTACT ADDRESS

CHARLES DARWIN HOUSE,
EDINBURGH TECHNOPOLE,
EDINBURGH, EH26 0PY, UK

FURTHER INFORMATION

FOR FURTHER INFORMATION, SEE THE PARTNER PORTAL:

[HTTPS://PARTNERS.INDIGOVISION.COM](https://partners.indigovision.com)

ALTERNATIVELY, SCAN THE QR CODE BELOW.



1. POWERING THE CAMERA



The packing foam must be removed prior to powering up the camera.

The camera can be powered by either an auxiliary power supply or PoE+ and is compliant with the IEEE 802.3at standard.

The following may be used:

- Power over Ethernet (PoE+) switch
- PoE+ injector/midspan
- Auxiliary power supply:
 - 24V AC – Camera has a maximum power usage of 15.8W
 - 12V DC – Camera has a maximum power usage of 9W
 - 30V DC – Camera has a maximum power usage of 10.5W

The camera should only be powered from the specified voltage.

A suitable power supply can be ordered separately (Part numbers: High PoE Injector 75W 130176 auxiliary 12V DC power supply 110068, auxiliary 30V DC power supply 110100).

2. CONFIGURING THE CAMERA

Configure the settings



By default, the camera uses a DHCP server.

- For more information, refer to the Web Configuration Guide for this camera.

1. Connect the camera to a PC using an Ethernet cable.
2. Navigate to the camera's default IP address using a web browser and set a secure password.

If the default password is required, enter 1234.

If you cannot connect to a DHCP server, enter the default network settings.

Default Username	Admin
Default IP Address	10.5.1.10
Default Subnet Mask	255.0.0.0
Default Gateway	10.0.0.1

3. Enter the NTP server and port on the **System > System** page.
4. Select the video standard for your region using the **TV System** option on the **Camera** page.
Choose a **PAL** option for countries with 50Hz power frequency or **NTSC** option for countries with 60Hz power frequency.
5. Enter a new IP address and subnet mask on the **System > Network > Basic** page.

Further configuration

After the IP address has been configured, you can also access the camera's configuration pages through IndigoVision Limited Control Center.

1. In **Setup** view, select the camera you want to configure.
2. Select the **Configure** tab, and enter a valid user name and password if required.

Binary I/O connections

This camera has four binary input and two binary output. These are connected using the Alarm IO connections on the camera.

Binary inputs

Binary inputs are operated by connecting the Input directly to Alarm GND.

The input must be configured on the web configuration pages to ensure correct behavior.

Binary outputs

The binary output is a solid state open collector output:

- Max load voltage: 30V DC/24V AC
- Max current carrying capacity: 700mA

The binary output is not polarity sensitive and can be configured to be normally open or normally closed using the web configuration pages.

3. INSTALLATION

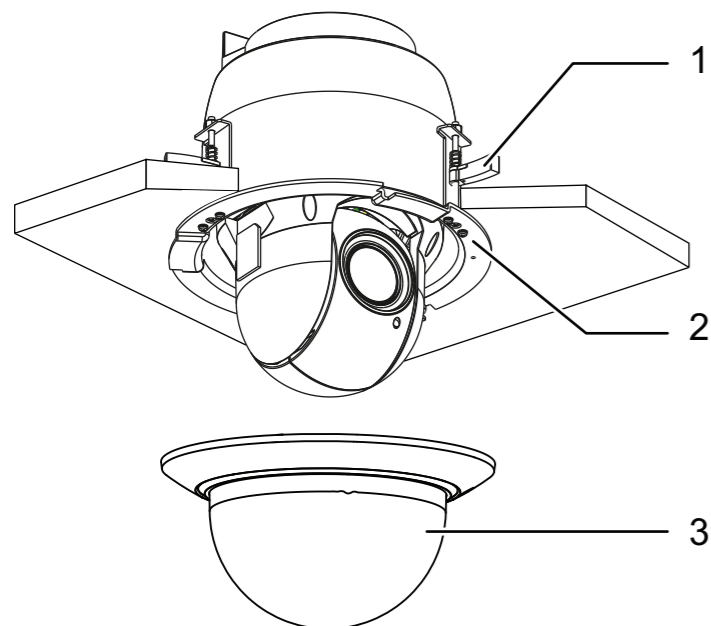
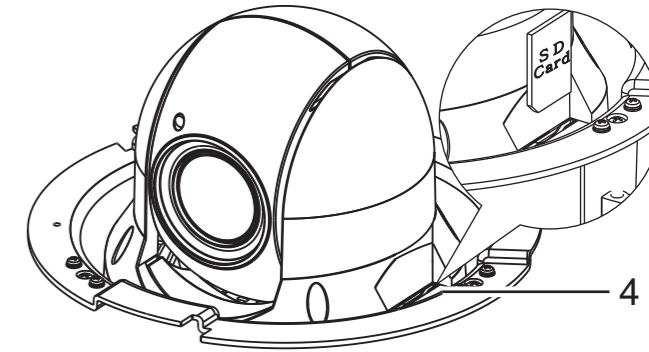
Mounting the camera

1. Place the Installation Template on the installation surface.
2. Using the Installation Template as a guide, drill a hole in the installation surface.
3. Rotate and remove the camera dome (3).
4. Insert the camera into the opening on installation surface.
5. Open out the fixing tabs (1).
6. Fix the camera to the installation surface by tightening the screws (2).
7. Replace the dome (3).

4. OPERATIONS

SD Card installation

1. Remove the dome (3) from the camera by rotating it.
2. Insert the SD card into the slot.
3. Place the camera dome (3) back over the device and rotate to lock into position.



Reset to factory defaults

You can reset the camera settings to factory defaults using the following methods:

Firmware factory restore

Click the **Full Restore** button on the **System > Factory Default** page.

Hardware factory restore

There is one **Reset** switch (DEFAULT) (5) which is located on the base of the camera and another **Reset** switch (4) located next to the SD card slot.

1. Press either of the **Reset** switches (4 or 5) and hold them for 10 seconds.

The camera will revert to the default factory settings.

