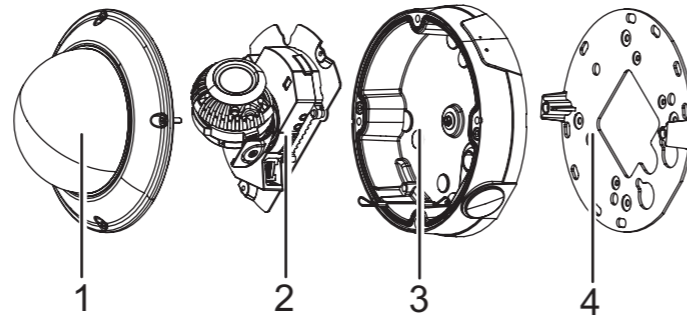


# INDIGOVISION UX3420 HD EXTERNAL MINIDOME ULTRA X RANGE QUICK START GUIDE



Document ID: IU-DOM-MAN039-2

## PACKAGE CONTENTS



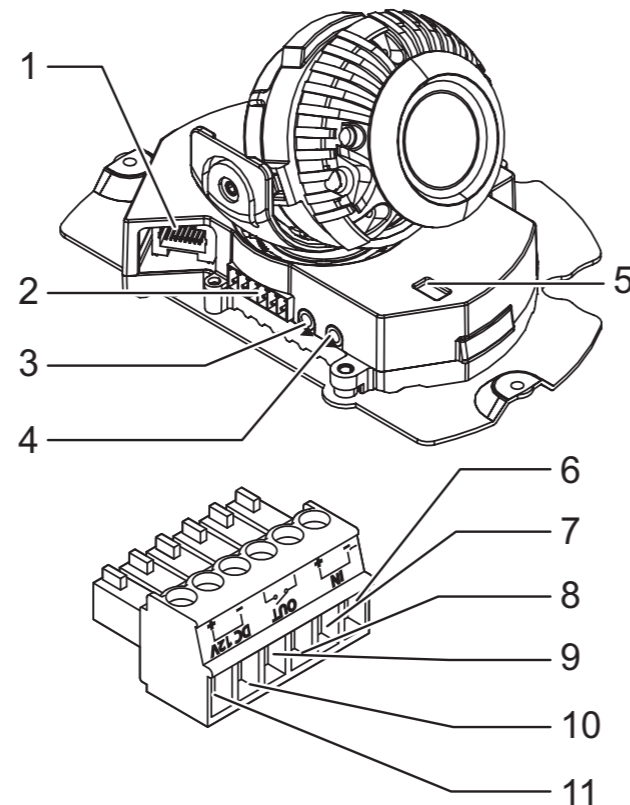
### Camera

1. Dome
2. Camera
3. Base housing
4. Mounting plate

### Additional items

- 1 x Security Allen bit
- 1 x Security Torx wrench
- 1 x BNC Adapter cable
- 1 x Screw kit (4 x screws, 4 x rawlplugs)
- 1 x Quick Start Guide
- 1 x Spare grommet
- 1 x Terminal block

## CONNECTIONS



## SAFETY NOTICES

### Warning

- ⚠ Ensure the power supply is switched off, or that PoE power is disabled, during installation.
- ⚠ A falling camera can cause injury. During installation ensure the mount is attached securely to the surface and that the camera is attached securely to the mount.
- ⚠ Do not dismantle the device or attempt repairs yourself. Repairs must be done by IndigoVision representatives.
- ⚠ Ensure that the power supply conforms to the SELV (Safety Extra Low Voltage) safe level.
- ⚠ Risk of explosion if battery is replaced by an incorrect type. Dispose of used batteries according to the instructions.

### Caution

- ⚠ Handle the camera with care, supporting the body. Ensure that the main electronics and components are not damaged. Only transport, store and install in suitable environments.
- ⚠ For security reasons, you must change the camera's default password. Ensure each camera has a unique IP address.
- ⚠ Using the incorrect voltage or two power supplies at the same time can damage the camera. Ensure the correct voltage is used.
- ⚠ Do not aim the camera at strong light such as sunlight or electric lighting.
- ⚠ Ensure that you install the network cable in a location where it will not be trampled or crushed.
- ⚠ Incorrect installation may result in water ingress into the camera. Ensure you install the camera correctly to ensure the unit is watertight.
- ⚠ Cameras powered by PoE have been evaluated as network environment "0" (basic insulation) and are not intended for routing outside a common building. Cable runs for cameras should only be run within a common building.
- ⚠ This product is intended to be supplied by a Listed Power Supply Unit marked "Class 2" or "LPS" and rated from 12 Vdc, 1A.
- ⚠ The wired LAN hub providing power over the Ethernet (PoE) in accordance with IEEE 802-3af shall be a UL Listed device with the output evaluated as a Limited Power Source as defined in UL60950-1.

## AVIS DE SÉCURITÉ

### Avertissements

- ⚠ S'assurer que l'alimentation électrique est déconnectée ou que l'alimentation du PoE est désactivée pendant l'installation.
- ⚠ Une caméra qui tombe peut entraîner des blessures corporelles. Pendant l'installation, s'assurer que le support est fixé solidement à la surface et que la caméra est fixée solidement au support.
- ⚠ Ne pas démonter l'appareil ou tenter d'y effectuer des réparations par vous-même. Les réparations doivent être effectuées par un représentant IndigoVision.
- ⚠ S'assurer que l'alimentation électrique correspond au niveau sécuritaire SELV (très basse tension de sécurité).
- ⚠ Risque d'explosion si la pile est remplacée par un type de pile incorrect. En ce qui concerne les piles usées, se conformer aux instructions du fabricant.

### Attention

- ⚠ Manipuler la caméra avec soin, en soutenant le boîtier. S'assurer que les principales pièces électroniques et composants ne sont pas endommagés. Ne transporter, entreposer et installer que dans des environnements appropriés.
- ⚠ Pour des raisons de sécurité, vous devez modifier le mot de passe de la caméra, créé par défaut. S'assurer que chaque caméra dispose d'une adresse IP unique.
- ⚠ Utiliser la tension inappropriée ou deux blocs d'alimentation en même temps peut endommager la caméra. S'assurer que la tension utilisée soit correcte.
- ⚠ Ne pas viser la caméra vers une lumière forte comme la lumière du soleil ou un éclairage électrique.
- ⚠ S'assurer d'installer le câble réseau dans un emplacement où il ne sera pas piétiné ou écrasé.
- ⚠ Une installation incorrecte peut entraîner la pénétration d'eau dans la caméra. Assurez-vous d'installer la caméra correctement afin de garantir son étanchéité.
- ⚠ Les caméras alimentées par PoE ont été évaluées comme environnement réseau « 0 » (isolation de base) et ne sont pas prévues pour être utilisées à l'extérieur d'un bâtiment. Les conduites de câbles pour les caméras ne doivent être passées qu'à l'intérieur d'un bâtiment.
- ⚠ Ce produit est conçu pour être alimenté par un bloc d'alimentation homologué de classe « 2 » ou « LPS » et d'une tension nominale de 12 Vcc, 1A.
- ⚠ Le concentrateur de réseau local câblé fournissant une alimentation par Ethernet (PoE) conformément à la norme IEEE 802-3af doit être un dispositif homologué UL dont la sortie est évaluée comme une source d'alimentation restreinte, telle que définie par la norme UL60950-1.

## REGULATORY

- EN 50130-4
- EN 55032
- EN 55035
- EN 61000-3-2
- EN 61000-3-3
- UL 60950-1
- EN 60068-2-1 : 2007
- EN 60068-2-2 : 2007
- EN 60068-2-30 : 2007
- EN 60068-2-6 : 2008
- EN 60068-2-64 : 2008
- EN 60068-2-27 : 2009
- RoHS directive 2002/95/EC
- EN 60529
- EN 62262
- CFR 47 FCC Part 15 Subpart B



### Environment

#### Temperature:

- Operating: -40°C to +50°C (-40°F to 122°F)
- Cold start: -40°C (-40°F)
- Storage: 0°C to +50°C (32°F to 122°F)

Maximum humidity: 90%

COPYRIGHT © INDIGOVISION LIMITED. ALL RIGHTS RESERVED.

INDIGOVISION, INDIGOULTRA, INDIGOPRO, INDIGOLITE, INTEGRA AND CYBERVIGILANT ARE REGISTERED TRADEMARKS OF INDIGOVISION LIMITED. CAMERA GATEWAY IS AN UNREGISTERED TRADEMARK OF INDIGOVISION LIMITED. ALL OTHER PRODUCT NAMES REFERRED TO IN THIS MANUAL ARE TRADEMARKS OF THEIR RESPECTIVE OWNERS.

THIS MANUAL IS PROVIDED WITHOUT EXPRESS REPRESENTATION AND/OR WARRANTY OF ANY KIND.

PLEASE CONTACT INDIGOVISION LIMITED (EITHER BY POST OR BY E-MAIL AT TECHNICAL.SUPPORT@INDIGOVISION.COM) WITH ANY SUGGESTED CORRECTIONS AND/OR IMPROVEMENTS TO THIS MANUAL.

#### CONTACT ADDRESS

CHARLES DARWIN HOUSE,  
EDINBURGH TECHNOPOLE,  
EDINBURGH, EH26 0PY, UK

#### FURTHER INFORMATION

FOR FURTHER INFORMATION, SEE THE PARTNER PORTAL:

[HTTPS://PARTNERS.INDIGOVISION.COM](https://partners.indigovision.com)

ALTERNATIVELY, SCAN THE QR CODE BELOW.



# 1. POWERING UP THE CAMERA



There are 2 pieces of protective film which must be removed prior to powering up the camera. One under the dome lid and the other around the lens module.

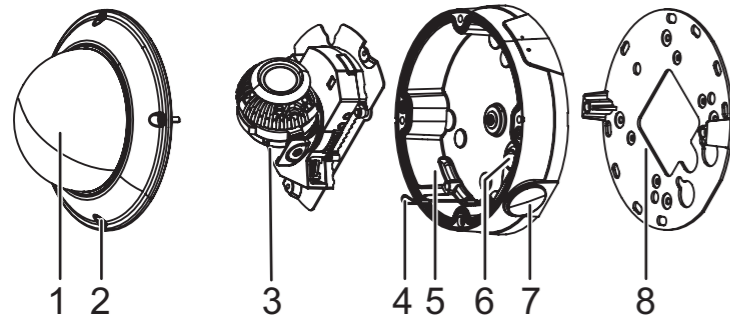
The camera can be powered by either an auxiliary power supply or PoE and is compliant with the IEEE 802.3af standard.

The following may be used:

- Power over Ethernet (PoE) switch
- PoE injector/midspan
- Auxiliary power supply
  - 12V DC – Camera has a maximum power usage of 7.5W (0.63A)

The camera should only be powered from the specified voltage.

A suitable power supply can be ordered separately (Part numbers: High PoE Injector 75W 130176, auxiliary 12V DC power supply 110068).



## Further configuration

After the IP address has been configured, you can also access the camera's configuration pages through IndigoVision Control Center.

Alternatively, you can access these pages through IndigoVision Control Center.

1. In **Setup** view, select the camera you want to configure.
2. Select the **Configure** tab, and enter a valid user name and password if required.

## Alarm I/O connections

The HD Ultra X External Minidome has one alarm input and one alarm output. These are connected using the Alarm IO connections on the camera.

### Alarm inputs

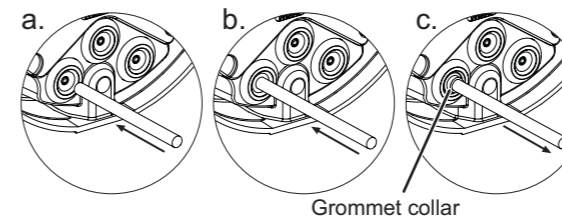
Alarm inputs are operated by connecting the alarm input + to alarm input -.

Inputs must be configured on the Web Configuration pages to ensure correct behavior.

### Alarm output

The alarm output is a solid state open collector output:

- Max load voltage: 24V DC
- Max current carrying capacity: 50mA



**Notice** Only use the cable to pierce the grommet. Do not use any other tools, for example, a screwdriver or scalpel. Ensure all cables have a round cross-section.

3. Secure the base housing (5) to the mounting plate (8) using the retaining screws in the base housing (5).
4. Connect the required cables to the camera assembly (3). Ensure the RJ45 connector does not have a strain relief molding or boot.
5. Secure the camera assembly (3) to the base housing (5).

## Monitoring video during installation

To ensure the camera is aligned correctly you can view the camera picture during installation.

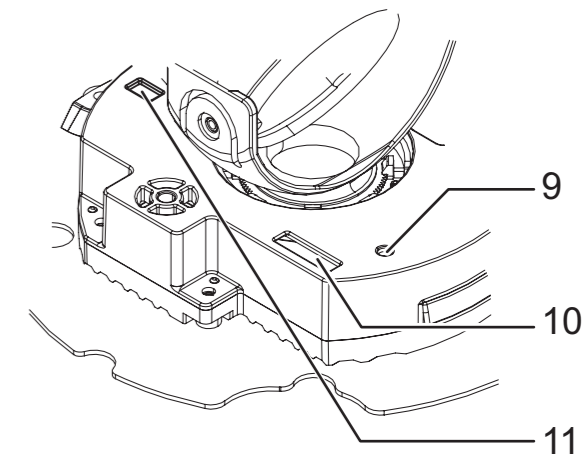
1. Connect the camera to a monitoring device using the supplied BNC Adapter cable connected into the video output port (11).



BNC analog output is only available when channel 2 resolution is 704x576 (4SIF) or lower.

# 4. OPERATIONS

## Micro SD Card Installation



1. Ensure the device is switched off.
2. Undo the 4 camera screws (2) and open the camera dome (1).
3. Insert the Micro SD card into the slot (10).
4. Place the camera dome back over the device and tighten the 4 camera screws.

# 2. CONFIGURING THE CAMERA

## Configure the settings



By default, the camera uses a DHCP server.

- ▶ For more information, refer to the Web Configuration Guide for this camera.

1. Connect the camera to a PC using an Ethernet cable.
2. Navigate to the camera's default IP address using a web browser and set a secure password.

If the default password is required, enter 1234.

If you cannot connect to a DHCP server, enter the default network settings.

Default Username	admin
Default IP Address	10.5.1.10
Default Subnet Mask	255.0.0.0
Default Gateway	10.0.0.1

3. Enter the NTP details on the **Setup > System > Date & Time Settings** page.
4. Enter a new IP address and subnet mask on the **Setup > Network > Network Settings** page.

# 3. INSTALLATION

## Fit the mounting plate

1. Use the mounting plate (8) as a template to mark out the fixing holes and cable access point on the mounting surface.
2. Prepare the holes and make the cutout on the mounting surface, fitting appropriate mounting plugs.
3. Secure the mounting plate (8) to the surface.

## Fit the camera to the mounting plate

The base housing (5) provides two cabling options:

- 3/4" NPT threaded side cable exit hole (7)
- Three rear cable exit holes (6)

Before fitting the camera, ensure the exit holes are sealed using the blanking plug or grommets provided. The grommets must not be pierced.

1. Undo the 4 camera screws (2) and the camera dome (1).
2. Run the cabling through the exit hole (7) on the side or the exit holes (6) on the base of the base housing (5).

To run the cabling through the exit holes (6) on the base, follow these steps:

- a. Push the cable through the grommet.
- b. Ensure you have enough cable pushed through for camera connections.
- c. Draw the cable back to invert the center of the grommet and create a watertight seal.

## Positioning the lens



Do not touch the camera dome or lens directly as this may cause damage. Clean with a soft dry cloth or mild cleaning solution.

1. Rotate the camera base to angle the camera towards the required area.
2. Carefully adjust the lens to ensure the image is the correct orientation.
3. Loosen the two locking screws on either side of the lens.
4. Tilt the lens vertically to the required position.
5. Tighten the locking screws.
6. Place the camera dome (1) back over the device and tighten the 4 camera screws (2).

## Focus the camera

To focus the camera, click the **Auto** or **Manual Focus Mode** button on the **Main** page.

## Reset to factory defaults

You can reset the camera settings to factory defaults using the following methods:

### Firmware factory restore

Using the camera configuration pages, click **Setup > System > Factory reset > All**.

### Hardware factory restore

1. Remove the dome and locate the Reset switch (9).
2. Press the Reset switch and hold it for 10 seconds.

The camera will revert to the default factory settings.