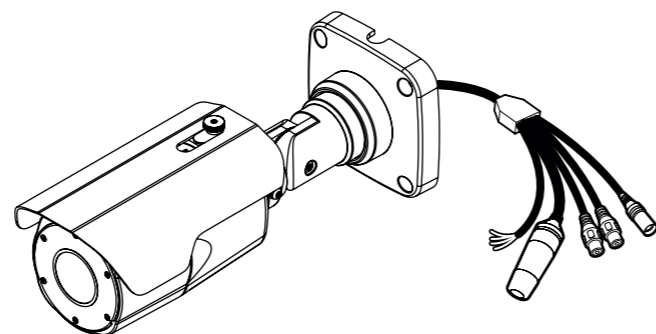


INDIGOVISION UX3625 HD BULLET ULTRA X RANGE QUICK START GUIDE



Document ID: IU-FIX-MAN030-2

PACKAGE CONTENTS



Camera

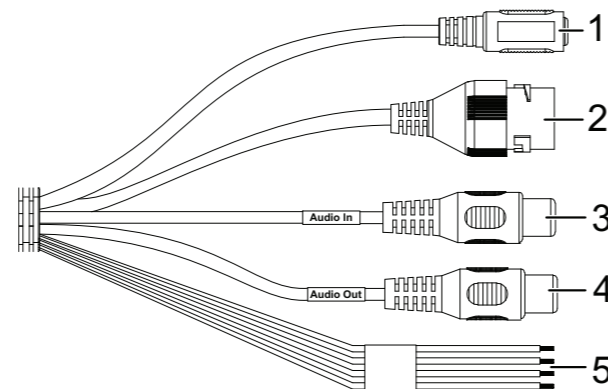
- HD Ultra X Bullet Camera

Additional items

- 1 x Torx wrench
- 1 x Waterproof RJ45 connector kit
- 1 x Power adapter cable
- 1 x BNC adapter cable
- 1 x Installation template
- 1 x Screw kit (4 x screws, 4 x rawlplugs)
- 1 x Quick Start Guide
- 1 x Sunshield Screw
- 1 x Sunshield Spacer
- 1 x Sunshield

CONNECTIONS

The camera is fitted with a preterminated cable bundle for easy installation.



COPYRIGHT © INDIGOVISION LIMITED. ALL RIGHTS RESERVED.

INDIGOVISION, INDIGOULTRA, INDIGOPRO, INDIGOLITE, INTEGRA AND CYBERVIGILANT ARE REGISTERED TRADEMARKS OF INDIGOVISION LIMITED. CAMERA GATEWAY IS AN UNREGISTERED TRADEMARK OF INDIGOVISION LIMITED. ALL OTHER PRODUCT NAMES REFERRED TO IN THIS MANUAL ARE TRADEMARKS OF THEIR RESPECTIVE OWNERS.

THIS MANUAL IS PROVIDED WITHOUT EXPRESS REPRESENTATION AND/OR WARRANTY OF ANY KIND.

PLEASE CONTACT INDIGOVISION LIMITED (EITHER BY POST OR BY E-MAIL AT TECHNICAL.SUPPORT@INDIGOVISION.COM) WITH ANY SUGGESTED CORRECTIONS AND/OR IMPROVEMENTS TO THIS MANUAL.

CONTACT ADDRESS

CHARLES DARWIN HOUSE,
EDINBURGH TECHNOPOLE,
EDINBURGH, EH26 0PY, UK

FURTHER INFORMATION

FOR FURTHER INFORMATION, SEE THE PARTNER PORTAL:

[HTTPS://PARTNERS.INDIGOVISION.COM](https://partners.indigovision.com)

ALTERNATIVELY, SCAN THE QR CODE BELOW.



SAFETY NOTICES

Warning

- ⚠ Ensure the power supply is switched off, or that PoE power is disabled, during installation.
- ⚠ A falling camera can cause injury. During installation ensure the mount is attached securely to the surface and that the camera is attached securely to the mount.
- ⚠ Do not dismantle the device or attempt repairs yourself. Repairs must be done by IndigoVision representatives.
- ⚠ Ensure that the power supply conforms to the SELV (Safety Extra Low Voltage) safe level.
- ⚠ Risk of explosion if battery is replaced by an incorrect type. Dispose of used batteries according to the instructions.

Caution

- ⚠ Handle the camera with care, supporting the body. Ensure that the main electronics and components are not damaged. Do not hold the camera by the cable bundle. Only transport, store and install in suitable environments.
- ⚠ For security reasons, you must change the camera's default password. Ensure each camera has a unique IP address.
- ⚠ Using the incorrect voltage or two power supplies at the same time can damage the camera. Ensure the correct voltage is used.
- ⚠ Do not aim the camera at strong light such as sunlight or electric lighting.
- ⚠ Ensure that you install the network cable in a location where it will not be trampled or crushed.
- ⚠ Incorrect installation may result in water ingress into the camera. Ensure you install the camera correctly to ensure the unit is watertight.
- ⚠ Cameras powered by PoE have been evaluated as network environment "0" (basic insulation) and are not intended for routing outside a common building. Cable runs for cameras should only be run within a common building.
- ⚠ This product is intended to be supplied by a Listed Power Supply Unit marked "Class 2" or "LPS" and rated from 12 Vdc, 1A.
- ⚠ The wired LAN hub providing power over the Ethernet (PoE) in accordance with IEEE 802-3af shall be a UL Listed device with the output evaluated as a Limited Power Source as defined in UL60950-1.

Table 1: Connections

No.	Description
1	Power In
2	Ethernet Port
3	Audio In (RCA)
4	Audio Out (RCA)
5	I/O connections

Table 2: I/O connection wiring

No.	Port	Description	Color
1	DI	Alarm Input 1	Yellow+Dot/Stripe
2	DI COM	Alarm Input 1 COM	Yellow
3	DO1 (N.O.)	Alarm Output 1 (Normally Open)	Blue+Dot/Stripe
4	DO1 COM	Alarm Output 1 COM	Blue

AVIS DE SÉCURITÉ

Avertissements

- ⚠ S'assurer que l'alimentation électrique est déconnectée ou que l'alimentation du PoE est désactivée pendant l'installation.
- ⚠ Une caméra qui tombe peut entraîner des blessures corporelles. Pendant l'installation, s'assurer que le support est fixé solidement à la surface et que la caméra est fixée solidement au support.
- ⚠ Ne pas démanteler l'appareil ou tenter d'y effectuer des réparations par vous-même. Les réparations doivent être effectuées par un représentant IndigoVision.
- ⚠ S'assurer que l'alimentation électrique correspond au niveau sécuritaire SELV (très basse tension de sécurité).
- ⚠ Risque d'explosion si la pile est remplacée par un type de pile incorrect. En ce qui concerne les piles usées, se conformer aux instructions du fabricant.

Attention

- ⚠ Manipuler la caméra avec soin, en soutenant le boîtier. S'assurer que les principales pièces électroniques et composants ne sont pas endommagés. Ne pas tenir la caméra par le faisceau de câbles. Ne transporter, entreposer et installer que dans des environnements appropriés.
- ⚠ Pour des raisons de sécurité, vous devez modifier le mot de passe de la caméra, créé par défaut. S'assurer que chaque caméra dispose d'une adresse IP unique.
- ⚠ Utiliser la tension inappropriée ou deux blocs d'alimentation en même temps peut endommager la caméra. S'assurer que la tension utilisée soit correcte.
- ⚠ Ne pas viser la caméra vers une lumière forte comme la lumière du soleil ou un éclairage électrique.
- ⚠ S'assurer d'installer le câble réseau dans un emplacement où il ne sera pas piétiné ou écrasé.
- ⚠ Une installation incorrecte peut entraîner la pénétration d'eau dans la caméra. Assurez-vous d'installer la caméra correctement afin de garantir son étanchéité.
- ⚠ Les caméras alimentées par PoE ont été évaluées comme environnement réseau « 0 » (isolation de base) et ne sont pas prévues pour être utilisées à l'extérieur d'un bâtiment. Les conduites de câbles pour les caméras ne doivent être passées qu'à l'intérieur d'un bâtiment.
- ⚠ Ce produit est conçu pour être alimenté par un bloc d'alimentation homologué de classe « 2 » ou « LPS » et d'une tension nominale de 12 Vcc, 1A.
- ⚠ Le concentrateur de réseau local câblé fournissant une alimentation par Ethernet (PoE) conformément à la norme IEEE 802-3af doit être un dispositif homologué UL dont la sortie est évaluée comme une source d'alimentation restreinte, telle que définie par la norme UL60950-1.

REGULATORY

- EN 50130-4
- EN 55035
- EN 55032
- EN 61000-3-2
- EN 61000-3-3
- UL 60950-1
- EN 60068-2-1 : 2007
- EN 60068-2-2 : 2007
- EN 60068-2-30 : 2007
- EN 60068-2-6 : 2008
- EN 60068-2-64 : 2008
- EN 60068-2-27 : 2009
- RoHS directive 2002/95/EC
- EN 60529
- EN 62262
- FCC Part 15 Subpart B



Environment

Temperature:

- Operating: -40°C to +50°C (-40°F to 122°F)
- Cold start: -40°C (-40°F)

Maximum humidity: 90%

1. POWERING UP THE CAMERA

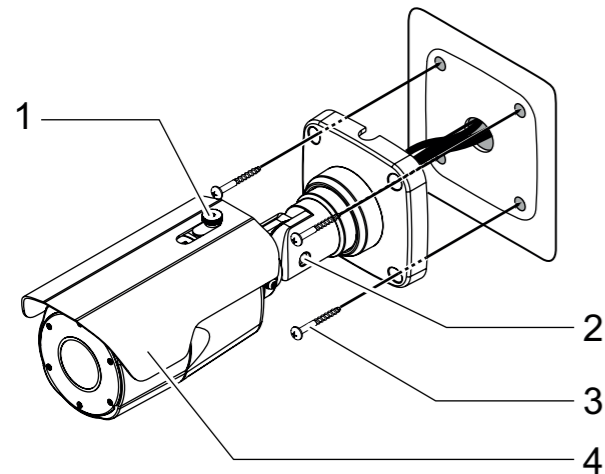
The camera can be powered by either an auxiliary power supply or PoE and is compliant with the IEEE 802.3af standard.

The following may be used:

- Power over Ethernet (PoE) switch
- PoE injector/midspan
- Auxiliary power supply
 - 12V DC – Camera has a maximum power usage of 9.5W (0.79A)

The camera should only be powered from the specified voltage.

A suitable power supply can be ordered separately (Part numbers: High PoE Injector 75W 130176, auxiliary 12V DC power supply 110068).



2. CONFIGURING THE CAMERA

Configure the settings



By default, the camera uses a DHCP server.

► *For more information, refer to the Web Configuration Guide for this camera.*

1. Connect the camera to a PC using an Ethernet cable.
2. Navigate to the camera's default IP address using a web browser and set a secure password.

If the default password is required, enter 1234.

If you cannot connect to a DHCP server, enter the default network settings.

Default Username	admin
Default IP Address	10.5.1.10
Default Subnet Mask	255.0.0.0
Default Gateway	10.0.0.1

3. Enter the NTP details on the **Setup > System > Date & Time Settings** page.
4. Enter a new IP address and subnet mask on the **Setup > Network > Network Settings** page.

Further configuration

After the IP address has been configured, you can also access the camera's configuration pages through IndigoVision Control Center.

1. In **Setup** view, select the camera you want to configure.
2. Select the **Configure** tab, and enter a valid user name and password if required.

Alarm I/O connections

The HD Ultra X Bullet Camera has one alarm input and one alarm output. These are connected using the Alarm IO connections on the camera.

Alarm inputs

Alarm input is operated by connecting the Input (DI) to Input 1 COM (DI COM).

Inputs must be configured on the Web Configuration pages to ensure correct behavior.

Alarm output

The alarm output is a solid state open collector output:

- Max load voltage: 24V DC, 50mA

3. INSTALLATION

Mounting the camera

1. Fix the Installation template in the correct location with the correct orientation for the surface, for example, ceiling or wall.
2. Following the Installation template, drill 4 holes in the installation surface for the rawlplugs and, if required, one cable exit hole.

3. Insert the 4 rawlplugs into the holes in the installation surface.

4. Align the base of the camera over the rawlplugs and route the cable bundle accordingly.

Ensure the cable notch on the base is aligned downwards to prevent water ingress.

5. Insert the screws (3) into the rawlplugs and fasten them firmly.

6. Connect to the cable bundle.

7. Adjust the position of the camera as required by loosening the adjustment screw (2) and tighten.

8. Adjust the sunshade as required by loosening the adjustment screw on sunshade (1) and tighten.

Monitor video during installation

To ensure the camera is aligned correctly you can view the camera picture during installation.

1. Connect the camera to a monitoring device using the supplied BNC Adapter cable connected into the video port (9).
2. The manual zoom joystick (5) can be used during setup.



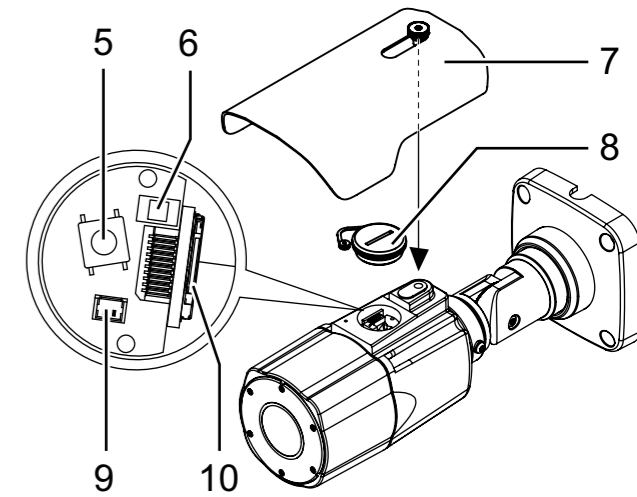
BNC analog output is only available when the sub stream resolution is 704x576 (4SIF) or lower.

Focus the camera

To focus the camera, click the **Auto or Manual Focus Mode** button on the **Main** page.

4. OPERATIONS

Micro SD card installation



1. Switch off the camera and disconnect the power.
2. Remove the sunshield (7) and top access cap (8) using a large flat blade screwdriver.
3. Insert the micro SD card into the micro SD card slot (10).
4. Replace the top access cap and sunshield.
5. Reconnect the power.



Ensure that the top access cap is securely tightened. A poorly fitted top access cap will impact the IP rating of the camera.

Reset to factory defaults

You can reset the camera settings to factory defaults using the following methods:

Firmware factory restore

Using the camera configuration pages, click **Setup > System > Factory reset > All**.

Hardware factory restore

1. In the top access cap of the camera, press and hold the RESET button (6) for 10 seconds.

The camera will revert to the default factory settings.