

INDIGOVISION

U2510

HD ULTRA PTZ CAMERA

ULTRA RANGE

QUICK START GUIDE

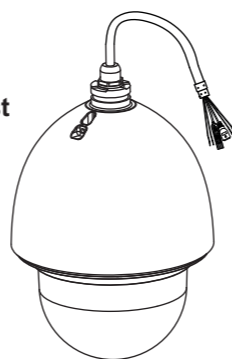


Document ID: IU-PTZ-MAN031-5

PACKAGE CONTENTS



All internal packaging must be removed before powering up the camera



Camera

- HD Ultra PTZ camera

Additional

- Safety lanyard
- 1 x 1.5" straight thread adapter
- 3 x M6 screws (attached to straight thread adapter)
- 1 x Wall mount bracket
- 1 x Waterproof mount seal
- 1 x M4 locking screw (attached to mount)
- Waterproof RJ45 connector kit
- Thread tape
- Torx key
- 5mm Allen key

CONNECTIONS

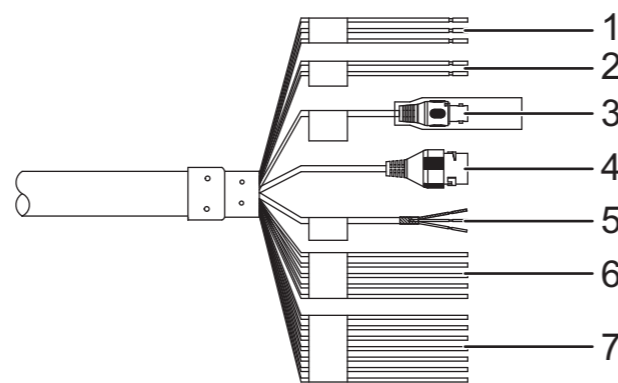


Table 1: Pin connections

Name	Description	Color
1	Power	AC 24v
		AC 24v
		GND
		Yellow/Green
2	RS485	A+
		B-
3	Video	BNC Video output port
4	RJ45	Network port (LAN)

SAFETY NOTICES

Warning

- ⚠ Ensure the power supply is switched off, or that PoE power is disabled, during installation.
- ⚠ A falling camera can cause injury. During installation ensure the camera is attached securely to the surface.
- ⚠ Do not dismantle the device or attempt repairs yourself. Repairs must be done by IndigoVision representatives.
- ⚠ Ensure that the power supply conforms to the SELV (Safety Extra Low Voltage) safe level.
- ⚠ Risk of explosion if battery is replaced by an incorrect type. Dispose of used batteries according to the instructions.

Caution

- ⚠ Handle the camera with care, supporting the body. Ensure that the main electronics and components are not damaged. Do not hold the camera by the cable bundle. Only transport, store and install in suitable environments.
- ⚠ For security reasons, you must change the camera's default password. Ensure each camera has a unique IP address.
- ⚠ Using the incorrect voltage or two power supplies at the same time can damage the camera. Ensure the correct voltage is used.
- ⚠ Do not aim the camera at strong light such as sunlight or electric lighting.
- ⚠ Ensure that you install the network cable in a location where it will not be trampled or crushed.
- ⚠ Incorrect installation may result in water ingress into the camera. Ensure you install the camera correctly to ensure the unit is watertight.
- ⚠ Cameras powered by PoE have been evaluated as network environment "0" (basic insulation) and are not intended for routing outside a common building. Cable runs for cameras should only be run within a common building.

AVIS DE SÉCURITÉ

Avertissements

- ⚠ S'assurer que l'alimentation électrique est déconnectée ou que l'alimentation du PoE est désactivée pendant l'installation.
- ⚠ Une caméra qui tombe peut entraîner des blessures corporelles. Pendant l'installation, s'assurer que la caméra est fixée solidement à la surface.
- ⚠ Ne pas démanteler l'appareil ou tenter d'y effectuer des réparations par vous-même. Les réparations doivent être effectuées par un représentant IndigoVision.
- ⚠ S'assurer que l'alimentation électrique correspond au niveau sécuritaire SELV (très basse tension de sécurité).
- ⚠ Risque d'explosion si la pile est remplacée par un type de pile incorrect. En ce qui concerne les piles usées, se conformer aux instructions du fabricant.

Attention

- ⚠ Manipuler la caméra avec soin, en soutenant le boîtier. S'assurer que les principales pièces électroniques et composants ne sont pas endommagés. Ne pas tenir la caméra par le faisceau de câbles. Ne transporter, entreposer et installer que dans des environnements appropriés.
- ⚠ Pour des raisons de sécurité, vous devez modifier le mot de passe de la caméra, créé par défaut. S'assurer que chaque caméra dispose d'une adresse IP unique.
- ⚠ Utiliser la tension inappropriée ou deux blocs d'alimentation en même temps peut endommager la caméra. S'assurer que la tension utilisée soit correcte.
- ⚠ Ne pas viser la caméra vers une lumière forte comme la lumière du soleil ou un éclairage électrique.
- ⚠ S'assurer d'installer le câble réseau dans un emplacement où il ne sera pas piétiné ou écrasé.
- ⚠ Une installation incorrecte peut entraîner la pénétration d'eau dans la caméra. Assurez-vous d'installer la caméra correctement afin de garantir son étanchéité.
- ⚠ Les caméras alimentées par PoE ont été évaluées comme environnement réseau « 0 » (isolation de base) et ne sont pas prévues pour être utilisées à l'extérieur d'un bâtiment. Les conduites de câbles pour les caméras ne doivent être passées qu'à l'intérieur d'un bâtiment.

REGULATORY

- EN 55032
- EN 60068-2-30
- EN 61000-3-2
- EN 60068-2-6
- EN 61000-3-3
- EN 60068-2-64
- EN 55024
- EN 60529
- EN 50130-4
- EN 62262
- EN 60068-2-1
- FCC Part 15 Subpart B
- EN 60068-2-2
- UL 60950-1
- EN 60068-2-27



Environment

Temperature:

- Operating (24V AC): -40°C to +70°C (-40°F to 158°F)
- Cold start (24V AC): -30°C (-22°F)
- Operating (PoE+ or higher): -10°C to +70°C (14°F to 158°F)
- Cold start (PoE+ or higher): -10°C (14°F)
- Storage: 0°C to +50°C (32°F to 122°F)

Maximum humidity: 95%

COPYRIGHT © INDIGOVISION LIMITED. ALL RIGHTS RESERVED.
INDIGOVISION, INDIGOULTRA, INDIGOPRO, INDIGOLITE, INTEGRA AND CYBERVIGILANT ARE REGISTERED TRADEMARKS OF INDIGOVISION LIMITED. CAMERA GATEWAY IS AN UNREGISTERED TRADEMARK OF INDIGOVISION LIMITED. ALL OTHER PRODUCT NAMES REFERRED TO IN THIS MANUAL ARE TRADEMARKS OF THEIR RESPECTIVE OWNERS.

THIS MANUAL IS PROVIDED WITHOUT EXPRESS REPRESENTATION AND/OR WARRANTY OF ANY KIND.

PLEASE CONTACT INDIGOVISION LIMITED (EITHER BY POST OR BY E-MAIL AT TECHNICAL.SUPPORT@INDIGOVISION.COM) WITH ANY SUGGESTED CORRECTIONS AND/OR IMPROVEMENTS TO THIS MANUAL.

CONTACT ADDRESS

CHARLES DARWIN HOUSE,
EDINBURGH TECHNOPOLE,
EDINBURGH, EH26 0PY, UK

FURTHER INFORMATION

FOR FURTHER INFORMATION, SEE THE PARTNER PORTAL:
[HTTPS://PARTNERS.INDIGOVISION.COM](https://partners.indigo.com)

ALTERNATIVELY, SCAN THE QR CODE BELOW.



1. POWERING UP THE CAMERA



The fixing tape, lens cap and packaging foam must be removed prior to powering up the camera.

The camera can be powered by either an auxiliary power supply or PoE+ and is compliant with the IEEE 802.3at standard.

The camera can be powered by the following:

- Power over Ethernet (PoE+) switch
- PoE+ injector/midspan
- Auxiliary power supply
 - 24V AC - Camera has a maximum power usage of 43W

The camera should only be powered from the specified voltage.

A suitable power supply can be ordered separately (Part numbers: High PoE Injector 75W 130176).

2. CONFIGURING THE CAMERA

Configure the settings



By default, the camera uses a DHCP server.

- For more information, refer to the *Web Configuration Guide* for this camera.

1. Connect the camera to a PC using an Ethernet cable.
2. Navigate to the camera's default IP address using a web browser and set a secure password.

If the default password is required, enter 1234.

If you cannot connect to a DHCP server, enter the default network settings.

Default Username	Admin
Default IP Address	10.5.1.10
Default Subnet Mask	255.0.0.0
Default Gateway	10.0.0.1

3. Enter the NTP server and port on the **Setup > System > General > Date & Time** page.
4. Select the video standard for your region using the **Video Standard** option on the **Setup > System > General > General** page.

Choose **PAL** for countries with 50Hz power frequency and **NTSC** for countries with 60Hz power frequency.

5. Enter a new IP address and subnet mask on the **Setup > Network > TCIP/IP** page.

Further configuration

After the IP address has been configured, you can also access the camera's configuration pages through IndigoVision Control Center.

1. In **Setup** view, select the camera you want to configure.
2. Select the **Configure** tab, and enter a valid user name and password if required.

Binary I/O connections

The HD Ultra PTZ camera has seven binary inputs and two binary outputs. These are connected using the Alarm IO connections on the camera (Table 1).

Binary inputs

Binary inputs are operated by connecting the Input directly to GND.

The input must be configured on the web configuration pages to ensure correct behavior.

Binary outputs

The binary output is a solid state open collector output:

- Max load voltage: 20V DC
- Max current carrying capacity: 1A

The binary output is not polarity sensitive and is normally open. This can be configured on the web configuration pages.

3. INSTALLATION

Fixing the mount

The HD Ultra PTZ camera can be fixed in place using a variety of different mounting arrangements. These can be ordered separately.

4. OPERATIONS

Installing the Micro SD card

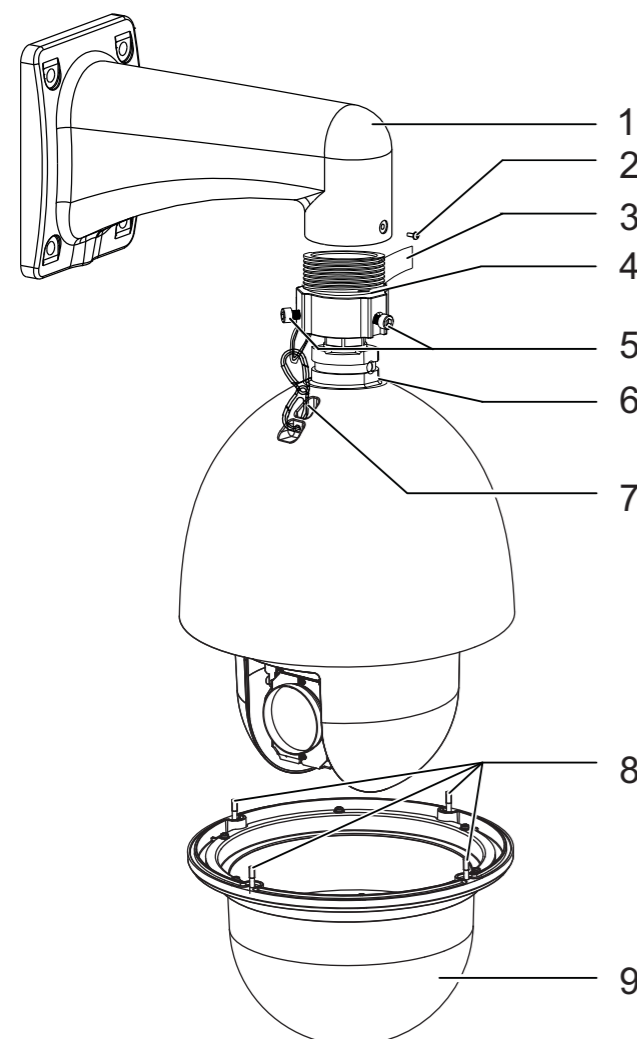
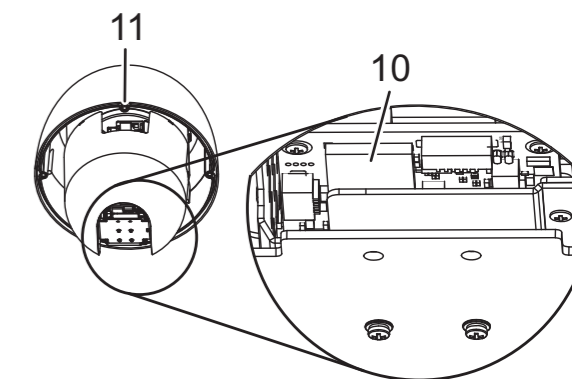


There is limited access to the Micro SD card slot. When inserting the Micro SD card use caution and ensure you do not drop the Micro SD card into the camera housing.

1. Ensure the device is switched off.
2. Undo the 4 dome screws (8) and remove the dome (9).
3. Insert Micro SD card into the slot (10).
4. Place the camera dome (9) back over the device and tighten the 4 dome screws.



Ensure that the seal on the dome is fitted correctly before tightening down the dome. Use a cross pattern when tightening. A poorly fitted dome will impact the IP rating of the camera.



Reset to factory defaults

You can reset the camera settings to factory defaults using the following methods:

Firmware factory restore

Click the **Full Restore** button on the **Setup > System > Default** pages.

Hardware factory restore

1. Remove the dome and locate the **Reset** switch (11).
2. Press the **Reset** switch and hold it for 10 seconds.

The camera will revert to the default factory settings.

If you have lost access to the camera web configuration pages and need to hardware factory restore while the camera is in motion, do the following:

1. Power off the camera.
2. While pressing the **Reset** switch (11), power up the camera and continue to hold the **Reset** switch for 40 seconds.
3. When you release the **Reset** switch (11), the camera begins its homing routine and factory reset procedure.

The camera will revert to the default factory settings.