

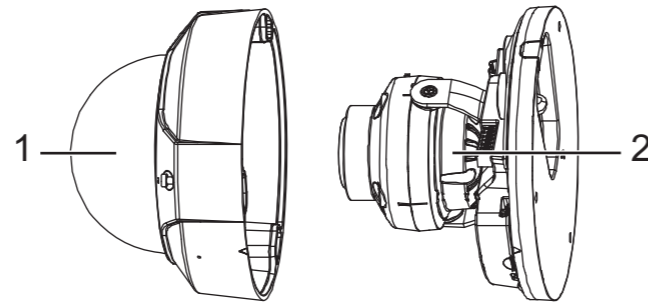
INDIGOVISION

HD ULTRA MINIDOME

ULTRA RANGE

QUICK START GUIDE

PACKAGE CONTENTS



Camera

1. Dome
2. Camera

Additional items

- 1 x Torx wrench
- 1 x Waterproof RJ45 connector kit
- 1 x Power cable adapter
- 1 x Installation template
- 3 x Fixing screws and rawlplugs
- 1 x Quick Start Guide

SAFETY NOTICES

Warning

- ⚠ Ensure the power supply is switched off, or that PoE power is disabled, during installation.
- ⚠ A falling camera can cause injury. During installation ensure the mount is attached securely to the surface and that the camera is attached securely to the mount.
- ⚠ Do not dismantle the device or attempt repairs yourself. Repairs must be done by IndigoVision Limited representatives.
- ⚠ Ensure that the power supply conforms to the SELV (Safety Extra Low Voltage) safe level.

Caution

- ⚠ Handle the camera with care, supporting the body. Ensure that the main electronics and components are not damaged. Only transport, store and install in suitable environments.
- ⚠ For security reasons, you must change the camera's default username and password. Ensure each camera has a unique IP address.
- ⚠ Using the incorrect voltage or two power supplies at the same time can damage the camera. Ensure the correct voltage is used.
- ⚠ Do not aim the camera at strong light such as sunlight or electric lighting.
- ⚠ Ensure that you install the network cable in a location where it will not be trampled or crushed.
- ⚠ Incorrect installation may result in water ingress into the camera. Ensure you install the camera correctly to ensure the unit is watertight.
- ⚠ Cameras powered by PoE have been evaluated as network environment "0" (basic insulation) and are not intended for routing outside a common building. Cable runs for cameras should only be run within a common building.

AVIS DE SÉCURITÉ

Avertissements

- ⚠ S'assurer que l'alimentation électrique est déconnectée ou que l'alimentation du PoE est désactivée pendant l'installation.
- ⚠ Une caméra qui tombe peut entraîner des blessures corporelles. Pendant l'installation, s'assurer que le support est fixé solidement à la surface et que la caméra est fixée solidement au support.
- ⚠ Ne pas démonter l'appareil ou tenter d'y effectuer des réparations par vous-même. Les réparations doivent être effectuées par un représentant IndigoVision Limited.
- ⚠ S'assurer que l'alimentation électrique correspond au niveau sécuritaire SELV (très basse tension de sécurité).

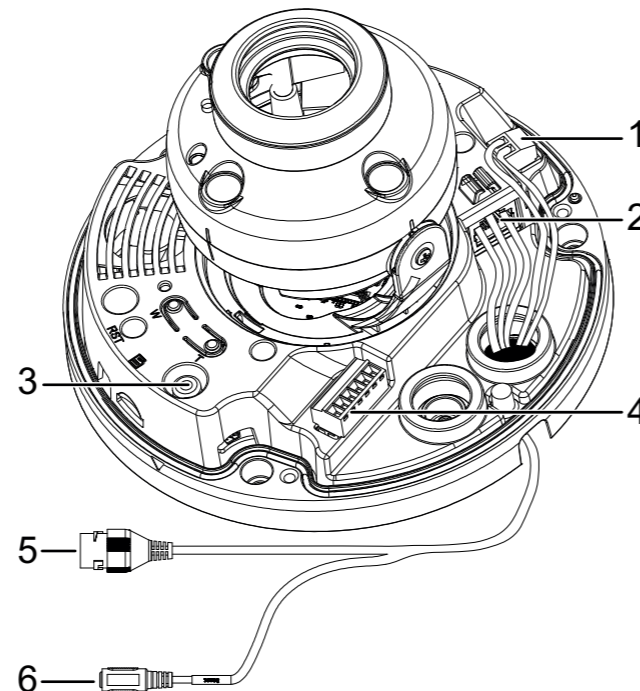
Attention

- ⚠ Manipuler la caméra avec soin, en soutenant le boîtier. S'assurer que les principales pièces électroniques et composants ne sont pas endommagés. Ne pas tenir la caméra par le faisceau de câbles. Ne transporter, entreposer et installer que dans des environnements appropriés.
- ⚠ Pour des raisons de sécurité, vous devez modifier le nom d'utilisateur de la caméra, créés par défaut. S'assurer que chaque caméra dispose d'une adresse IP unique.
- ⚠ Utiliser la tension inappropriée peut endommager la caméra. S'assurer que la tension utilisée soit correcte.
- ⚠ Ne pas viser la caméra vers une lumière forte comme la lumière du soleil ou un éclairage électrique.
- ⚠ S'assurer d'installer le câble réseau dans un emplacement où il ne sera pas piétiné ou écrasé.
- ⚠ Une installation incorrecte peut entraîner la pénétration d'eau dans la caméra. Assurez-vous d'installer la caméra correctement afin de garantir son étanchéité.



Document ID: IU-DOM-MAN035-2

CONNECTIONS



The camera is fitted with a preterminated cable bundle for easy installation. The preterminated cable bundle is connected to Power (1) and Network port (2) connections which can be disconnected if a direct connection to the camera is required.

Table 1: Pin connections

No.	Description
1	Power (12V DC or 24V AC)
2	Network port (LAN)
3	Video output
4	Terminal block: Pin 1: Alarm OUT Pin 2: Alarm GND Pin 3: Alarm IN Pin 4: GND Pin 5: Audio IN Pin 6: Audio OUT

Table 2: Bundle connections

No.	Description
5	Network port (LAN)
6	Power (12V DC or 24V AC)

REGULATORY

- EN 50130-4
- EN 55024
- EN 55032
- EN 61000-3-2
- EN 61000-3-3
- UL 60950-1
- EN 60068-2-1 : 2007
- EN 60068-2-2 : 2007
- EN 60068-2-30 : 2007
- EN 60068-2-6 : 2008
- EN 60068-2-64 : 2008
- EN 60068-2-27 : 2009
- RoHS directive 2002/95/EC
- EN 60529
- EN 62262
- CFR 47 FCC Part 15 Subpart B



Environment

Temperature:

- Operating (AUX, PoE+ or higher): -40°C to +60°C (-40°F to 140°F)
- Cold start (AUX, PoE+ or higher): -20°C (-4°F)
- Operating (PoE): -10°C to +60°C (14°F to 140°F)
- Cold start (PoE): -10°C (14°F)
- Cold storage: Storage: 0°C to +50°C (32°F to 122°F)

Maximum humidity: 95%

COPYRIGHT © INDIGOVISION LIMITED. ALL RIGHTS RESERVED.

INDIGOVISION, INDIGOULTRA, INDIGOPRO, INDIGOLITE, INTEGRA AND CYBERVIGILANT ARE REGISTERED TRADEMARKS OF INDIGOVISION LIMITED. CAMERA GATEWAY IS AN UNREGISTERED TRADEMARK OF INDIGOVISION LIMITED. ALL OTHER PRODUCT NAMES REFERRED TO IN THIS MANUAL ARE TRADEMARKS OF THEIR RESPECTIVE OWNERS.

THIS MANUAL IS PROVIDED WITHOUT EXPRESS REPRESENTATION AND/OR WARRANTY OF ANY KIND.

PLEASE CONTACT INDIGOVISION LIMITED (EITHER BY POST OR BY E-MAIL AT TECHNICAL.SUPPORT@INDIGOVISION.COM) WITH ANY SUGGESTED CORRECTIONS AND/OR IMPROVEMENTS TO THIS MANUAL.

CONTACT ADDRESS

CHARLES DARWIN HOUSE,
EDINBURGH TECHNOPOLE,
EDINBURGH, EH26 0PY, UK

FURTHER INFORMATION

FOR FURTHER INFORMATION, SEE THE PARTNER PORTAL:

[HTTPS://PARTNERS.INDIGOVISION.COM](https://partners.indigovision.com)

ALTERNATIVELY, SCAN THE QR CODE BELOW.



1. POWERING UP THE CAMERA

The camera can be powered by either an auxiliary power supply or PoE+ and is compliant with the IEEE 802.3at standard.

The following may be used:

- Power over Ethernet (PoE+) switch
- PoE+ injector/midspan
- Auxiliary power supply
 - 12V DC – Camera has a maximum power usage of 16W (1.33A)
 - 24V AC – Camera has a maximum power usage of 17W (0.7A)

The camera should only be powered from the specified voltage.

A suitable power supply can be ordered separately (Part numbers: High PoE Injector 75W 130176, auxiliary 12V DC power supply 110068).



Although this is a PoE+ camera, it will power on with PoE but may reboot if the camera tries to use more power than is available on PoE. This can happen if advanced analytics are used or if the heaters come on due to the external temperature dropping.

2. CONFIGURING THE CAMERA

Configure the settings



By default, the camera uses a DHCP server.

► For more information, refer to the Web Configuration Guide for this camera.

1. Connect the camera to a PC using an Ethernet cable.
2. Navigate to the camera's default IP address using a web browser and set a secure password.

If the default password is required, enter 1234.

If you cannot connect to a DHCP server, enter the default network settings.

Default Username	Admin
Default IP Address	10.5.1.10
Default Subnet Mask	255.0.0.0
Default Gateway	10.0.0.1

3. Enter the NTP server and port on the **Setup > System > General > Date & Time** page.
4. Select the video standard for your region using the **Video Standard** option on the **Setup > System > General > General** page.
Choose **PAL** for countries with 50Hz power frequency and **NTSC** for countries with 60Hz power frequency.
5. Enter a new IP address and subnet mask on the **Setup > Network > TCIP/IP** page.

Further configuration

After the IP address has been configured, you can also access the camera's configuration pages through IndigoVision Limited Control Center.

1. In **Setup** view, select the camera you want to configure.
2. Select the **Configure** tab, and enter a valid user name and password if required.

Binary I/O connections

The HD Ultra Minidome has one binary input and one binary output. These are connected using the Alarm I/O connections on the camera.

Binary inputs

Binary inputs are operated by connecting the Input directly to GND.

Inputs must be configured on the Web Configuration pages to ensure correct behavior.

Binary output

The binary output is a solid state open collector output:

- Max load voltage: 30V DC / 50V AC
- Max current carrying capacity: 1A / 0.5A

The binary output is not polarity sensitive and is normally open. This can be configured on the web configuration pages.

3. INSTALLATION

The camera can be installed directly on a suitable hard surface that can support the camera's weight.

Mounting the camera



Do not leave the dome off for longer than 15 minutes. After this time the desiccant bag becomes less effective.

1. Fix the Installation template in the correct location with the correct orientation for the surface, for example the ceiling.
2. Following the Installation template, drill 3 holes in the installation surface for the rawlplugs and, if required, one cable exit hole.
3. Insert the 3 rawlplugs (1) into the 3 holes in the installation surface and lock them firmly.
4. Undo the 3 camera screws (4) and the camera dome (3).
5. Pull the cables through the cable exit hole (if required).
6. Place the camera over the 3 rawlplugs, lining these up with the holes in the camera base.
7. Insert the 3 installation screws (2) into the 3 rawlplugs (1) and fasten them firmly.

Monitoring video during installation

To ensure the camera is aligned correctly you can view the camera picture during installation.

1. Connect the camera RCA output (6) to a monitoring device.
2. Select **Setup > System > General > General > TV Out** and set to **on**.
3. Manual zoom buttons (8) can be used during setup.

Positioning the lens



Do not touch the camera dome or lens directly as this may cause damage. Clean with a soft dry cloth or mild cleaning solution.

1. Rotate the camera base to angle the camera towards the required area.
2. Carefully adjust the lens to ensure the image is the correct orientation.



Ensure IR LEDs are orientated to provide illumination through the bubble when fitted, otherwise performance may be reduced due to internal reflection of IR.

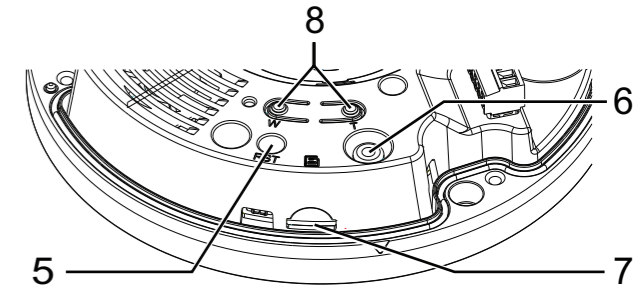
3. Loosen the two locking screws on either side of the lens.
4. Tilt the lens vertically to the required position.
5. Tighten the locking screws.
6. Place the camera dome (3) back over the device and tighten the 3 camera screws (4).

Focus the camera

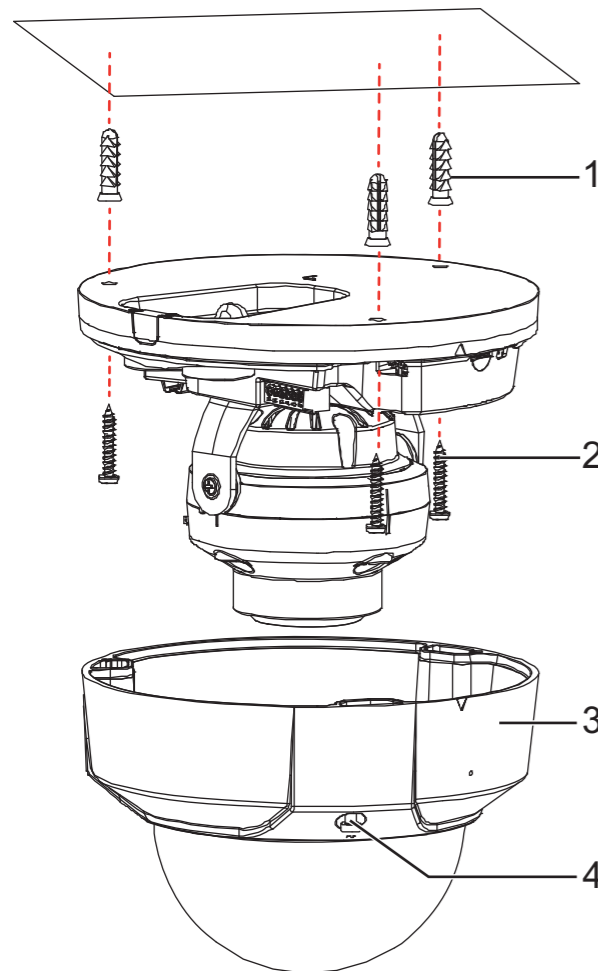
To focus the camera, click **Setup > Camera > Conditions > Zoom and Focus** on the camera's Configuration page.

4. OPERATIONS

Micro SD Card Installation



1. Ensure the device is switched off.
2. Undo the 3 camera screws (4) and open the camera dome (3).
3. Insert the Micro SD card into the slot (7).
4. Place the camera dome back over the device and tighten the 3 camera screws.



Reset to factory defaults

You can reset the camera settings to factory defaults using the following methods:

Firmware factory restore

Click **Full Restore** on the **Setup > System > Default** page.

Hardware factory restore

1. Remove the dome and locate the Reset switch (5).
2. Press the Reset switch and hold it for 10 seconds.

The camera will revert to the default factory settings.