

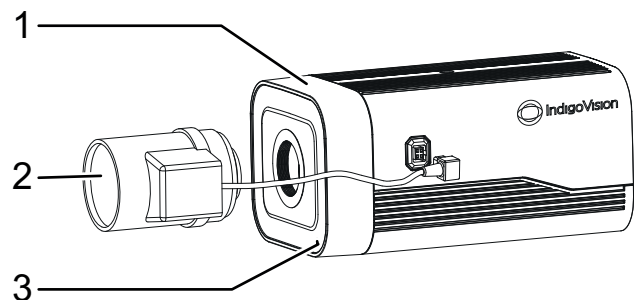
# INDIGOVISION

## HD ULTRA FIXED CAMERA

### ULTRA RANGE

#### QUICK START GUIDE

## PACKAGE CONTENTS



### Camera

1. HD Ultra Fixed Camera
2. Lens (optional)
3. Microphone

### Additional

- 1 x Quick Start Guide

## SAFETY NOTICES

### Warning

- ⚠ Ensure the power supply is switched off, or that PoE power is disabled, during installation.
- ⚠ A falling camera can cause injury. During installation ensure the mount is attached securely to the surface and that the camera is attached securely to the mount.
- ⚠ Do not dismantle the device or attempt repairs yourself. Repairs must be done by IndigoVision representatives.
- ⚠ Ensure that the power supply conforms to the SELV (Safety Extra Low Voltage) safe level.

### Caution

- ⚠ Handle the camera with care, supporting the body. Ensure that the main electronics and components are not damaged. Only transport, store and install in suitable environments.
- ⚠ For security reasons, you must change the camera's default username and password. Ensure each camera has a unique IP address.
- ⚠ Using the incorrect voltage or two power supplies at the same time can damage the camera. Ensure the correct voltage is used.
- ⚠ Do not aim the camera at strong light such as sunlight or electric lighting.
- ⚠ Ensure that you install the network cable in a location where it will not be trampled or crushed.
- ⚠ Incorrect installation may result in water ingress into the camera. Ensure you install the camera correctly to ensure the unit is watertight.
- ⚠ Cameras powered by PoE have been evaluated as network environment "0" (basic insulation) and are not intended for routing outside a common building. Cable runs for cameras should only be run within a common building.

## AVIS DE SÉCURITÉ

### Avertissements

- ⚠ S'assurer que l'alimentation électrique est déconnectée ou que l'alimentation du PoE est désactivée pendant l'installation.
- ⚠ Une caméra qui tombe peut entraîner des blessures corporelles. Pendant l'installation, s'assurer que le support est fixé solidement à la surface et que la caméra est fixée solidement au support.
- ⚠ Ne pas démonter l'appareil ou tenter d'y effectuer des réparations par vous-même. Les réparations doivent être effectuées par un représentant IndigoVision.
- ⚠ S'assurer que l'alimentation électrique correspond au niveau sécuritaire SELV (très basse tension de sécurité).

### Attention

- ⚠ Manipuler la caméra avec soin, en soutenant le boîtier. S'assurer que les principales pièces électroniques et composants ne sont pas endommagés. Ne pas tenir la caméra par le faisceau de câbles. Ne transporter, entreposer et installer que dans des environnements appropriés.
- ⚠ Pour des raisons de sécurité, vous devez modifier le nom d'utilisateur de la caméra, créés par défaut. S'assurer que chaque caméra dispose d'une adresse IP unique.
- ⚠ Utiliser la tension inappropriée peut endommager la caméra. S'assurer que la tension utilisée soit correcte.
- ⚠ Ne pas viser la caméra vers une lumière forte comme la lumière du soleil ou un éclairage électrique.
- ⚠ S'assurer d'installer le câble réseau dans un emplacement où il ne sera pas piétiné ou écrasé.
- ⚠ Une installation incorrecte peut entraîner la pénétration d'eau dans la caméra. Assurez-vous d'installer la caméra correctement afin de garantir son étanchéité.



Document ID: IU-FIX-MAN026-4

## CONNECTIONS

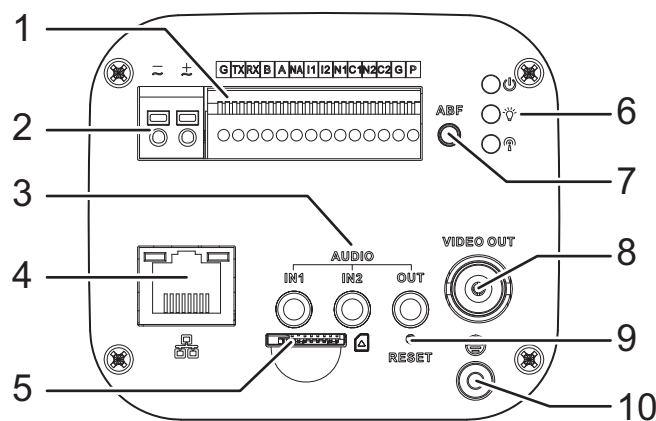


Table 1: Connections

No.	Description	No.	Description
1	Terminal block	6	Status indication lights
2	Power port	7	Auto back focus adjustment
3	Audio in/out	8	Video out, BNC connector
4	Network port	9	Reset button
5	SD card slot	10	Earth screw

Table 2: Terminal block

Connection	Definition	Connection	Definition
AC 24V / DC 12V	Power port	NA	IR light port (not used)
G	Ground end of RS232 serial port	I1 and I2	Alarm in
TX	RS232 Transmit - not supported	N1 and N2	Alarm out
RX	RS232 Receive - not supported	C1 and C2	Alarm common
B	RS485_B port - not supported	G	Ground
A	RS485_A port - not supported	P	12V DC output max 2W (0.17A)

COPYRIGHT © INDIGOVISION LIMITED. ALL RIGHTS RESERVED. INDIGOVISION, INDIGOUltra, INDIGOPro, INDIGOLite, INTEGRA AND CYBERVigilant ARE REGISTERED TRADEMARKS OF INDIGOVISION LIMITED. CAMERA GATEWAY IS AN UNREGISTERED TRADEMARK OF INDIGOVISION LIMITED. ALL OTHER PRODUCT NAMES REFERRED TO IN THIS MANUAL ARE TRADEMARKS OF THEIR RESPECTIVE OWNERS.

THIS MANUAL IS PROVIDED WITHOUT EXPRESS REPRESENTATION AND/OR WARRANTY OF ANY KIND.

PLEASE CONTACT INDIGOVISION LIMITED (EITHER BY POST OR BY E-MAIL AT TECHNICAL.SUPPORT@INDIGOVISION.COM) WITH ANY SUGGESTED CORRECTIONS AND/OR IMPROVEMENTS TO THIS MANUAL.

#### CONTACT ADDRESS

CHARLES DARWIN HOUSE,  
EDINBURGH TECHNOPOLE,  
EDINBURGH, EH26 0PY, UK

#### FURTHER INFORMATION

FOR FURTHER INFORMATION, SEE THE PARTNER PORTAL:

[HTTPS://PARTNERS.INDIGOVISION.COM](https://partners.indigovision.com)

ALTERNATIVELY, SCAN THE QR CODE BELOW.



## REGULATORY

- EN 50130-4
- EN 55024
- EN 55032
- EN 61000-3-2
- EN 61000-3-3
- UL 60950-1
- EN 60068-2-1 : 2007
- EN 60068-2-2 : 2007
- EN 60068-2-30 : 2007
- EN 60068-2-6 : 2008
- EN 60068-2-64 : 2008
- EN 60068-2-27 : 2009
- RoHS directive 2002/95/EC
- CFR 47 FCC Part 15 Subpart B, 2015



### Environment

Temperature:

- Operating: -10°C to +60°C (14°F to 140°F)
- Cold start: -10°C (14°F)
- Storage: 0°C to +50°C (32°F to 122°F)

Maximum humidity: 95%

## 1. POWERING UP THE CAMERA

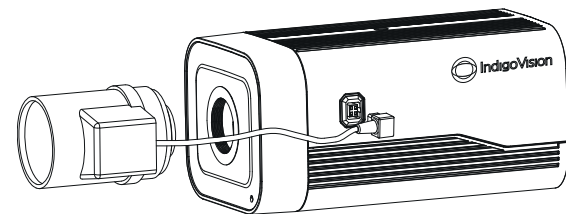
The camera can be powered by either an auxiliary power supply or PoE and is compliant with the IEEE 802.3af standard.

The following may be used:

- Power over Ethernet (PoE) switch
- PoE injector/midspan
- Auxiliary power supply
  - 24V AC – Camera has a maximum power usage of 6.5W
  - 12V DC – Camera has a maximum power usage of 6W

The camera should only be powered from the specified voltage.

A suitable power supply can be ordered separately (Part numbers: High PoE Injector 75W 130176, auxiliary 12V DC power supply 110068).



## 2. CONFIGURING THE CAMERA

### Configure the settings



By default, the camera uses a DHCP server.

► For more information, refer to the Web Configuration Guide for this camera.

1. Connect the camera to a PC using an Ethernet cable.
2. Navigate to the camera's default IP address using a web browser and set a secure password.

If the default password is required, enter 1234.

If you cannot connect to a DHCP server, enter the default network settings.

Default Username	Admin
Default IP Address	10.5.1.10
Default Subnet Mask	255.0.0.0
Default Gateway	10.0.0.1

3. Enter the NTP server and port on the **Setup > System > General > Date & Time** page.

4. Select the video standard for your region using the **Video Standard** option on the **Setup > System > General > General** page.

Choose **PAL** for countries with 50Hz power frequency and **NTSC** for countries with 60Hz power frequency.

5. Enter a new IP address and subnet mask on the **Setup > Network > TCIP/IP** page.

### Further configuration

After the IP address has been configured, you can also access the camera's configuration pages through IndigoVision Control Center.

1. In **Setup** view, select the camera you want to configure.
2. Select the **Configure** tab, and enter a valid user name and password if required.

### Binary I/O connections

The HD Ultra Fixed Camera has two binary inputs and one binary output. These are connected using the Alarm IO connections on the camera.

#### Binary input

Binary inputs (I1 and I2) are operated by connecting the Input directly to GND (G).

Inputs must be configured on the Web Configuration pages to ensure correct behavior.

#### Binary output

The binary output is a solid state open collector output:

- Max load voltage: 30V DC / 50V AC
- Max current carrying capacity: 1A / 0.5A

The binary output is not polarity sensitive and is normally open. This can be configured on the web configuration pages.

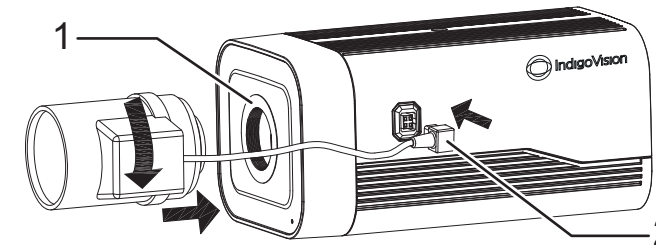
Binary output uses a relay:

- Output 1 - C1 (common 1) and N1
- Output 2 - C2 (common 2) and N2

## 3. INSTALLATION

The camera can be installed directly on a suitable hard surface that can support the camera's weight.

### Lens installation



To install the lens, remove the sensor protection cover from the camera.

1. Attach the lens to the camera (1).
2. Insert the lens cable plug into the auto aperture lens connector (2) on the camera side panel.
3. Adjust the focal length to improve the image.

Use the Auto Back Focus (ABF) button on the rear for fine focus adjustments. ABF is also accessible using the web configuration pages. Click **Auto focus** on the **Setup > Camera > Conditions > Focus** page.

Compatible lenses can be ordered separately

- Standard lens – 3.7mm - 16mm (13003)
- Telephoto lens – 10.5mm - 42mm (13004)

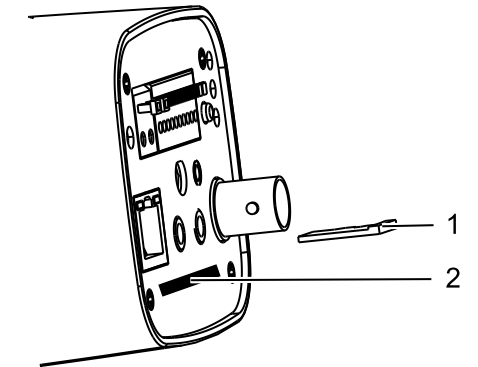
### Camera installation

The HD Ultra Fixed Camera can be installed on a wall or ceiling using a suitable stand, or in a suitable housing.

**Notice** Ensure the wall or ceiling the camera is mounted on is strong enough to support the camera.

## 4. OPERATIONS

### Micro SD card installation



To install an SD card, insert the SD card (1) into the SD card slot (2).

### Reset to factory defaults

You can reset the camera settings to factory defaults using the following methods:

#### Firmware factory restore

Click **Full Restore** on the **Setup > System > Default** page.

#### Hardware factory restore

On the rear panel of the camera, press and hold the RESET button for 10 seconds.

The camera will revert to the default factory settings.

### Status indication lights

Indication light	Light color	Function
	Red	• Steady red light: Normal operation
	Green	• Steady green light: Normal operation
	Yellow	• Not supported