

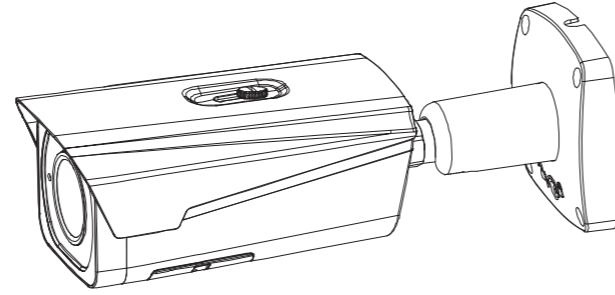
INDIGOVISION

HD ULTRA BULLET CAMERA

ULTRA RANGE

QUICK START GUIDE

PACKAGE CONTENTS



Camera

- HD Ultra Bullet Camera

Additional items

- 1 x Torx wrench
- 1 x Waterproof RJ45 connector kit
- 1 x Power cable adaptor
- 1 x BNC cable adaptor
- 1 x Installation template
- 1 x Screw kit (4 x screws, 4 x rawlplugs)
- 1 x Quick Start Guide

SAFETY NOTICES

Warning

- ⚠ Ensure the power supply is switched off, or that PoE power is disabled, during installation.
- ⚠ A falling camera can cause injury. During installation ensure the mount is attached securely to the surface and that the camera is attached securely to the mount.
- ⚠ Do not dismantle the device or attempt repairs yourself. Repairs must be done by IndigoVision representatives.
- ⚠ Ensure that the power supply conforms to the SELV (Safety Extra Low Voltage) safe level.

Caution

- ⚠ Handle the camera with care, supporting the body. Ensure that the main electronics and components are not damaged. Only transport, store and install in suitable environments.
- ⚠ For security reasons, you must change the camera's default username and password. Ensure each camera has a unique IP address.
- ⚠ Using the incorrect voltage or two power supplies at the same time can damage the camera. Ensure the correct voltage is used.
- ⚠ Do not aim the camera at strong light such as sunlight or electric lighting.
- ⚠ Ensure that you install the network cable in a location where it will not be trampled or crushed.
- ⚠ Incorrect installation may result in water ingress into the camera. Ensure you install the camera correctly to ensure the unit is watertight.
- ⚠ Cameras powered by PoE have been evaluated as network environment "0" (basic insulation) and are not intended for routing outside a common building. Cable runs for cameras should only be run within a common building.

AVIS DE SÉCURITÉ

Avertissements

- ⚠ S'assurer que l'alimentation électrique est déconnectée ou que l'alimentation du PoE est désactivée pendant l'installation.
- ⚠ Une caméra qui tombe peut entraîner des blessures corporelles. Pendant l'installation, s'assurer que le support est fixé solidement à la surface et que la caméra est fixée solidement au support.
- ⚠ Ne pas démonter l'appareil ou tenter d'y effectuer des réparations par vous-même. Les réparations doivent être effectuées par un représentant IndigoVision.
- ⚠ S'assurer que l'alimentation électrique correspond au niveau sécuritaire SELV (très basse tension de sécurité).

Attention

- ⚠ Manipuler la caméra avec soin, en soutenant le boîtier. S'assurer que les principales pièces électroniques et composants ne sont pas endommagés. Ne pas tenir la caméra par le faisceau de câbles. Ne transporter, entreposer et installer que dans des environnements appropriés.
- ⚠ Pour des raisons de sécurité, vous devez modifier le nom d'utilisateur de la caméra, créés par défaut. S'assurer que chaque caméra dispose d'une adresse IP unique.
- ⚠ Utiliser la tension inappropriée peut endommager la caméra. S'assurer que la tension utilisée soit correcte.
- ⚠ Ne pas viser la caméra vers une lumière forte comme la lumière du soleil ou un éclairage électrique.
- ⚠ S'assurer d'installer le câble réseau dans un emplacement où il ne sera pas piétiné ou écrasé.
- ⚠ Une installation incorrecte peut entraîner la pénétration d'eau dans la caméra. Assurez-vous d'installer la caméra correctement afin de garantir son étanchéité.



Document ID: IU-FIX-MAN024-2

CONNECTIONS

The camera is fitted with a preterminated cable bundle for easy installation.

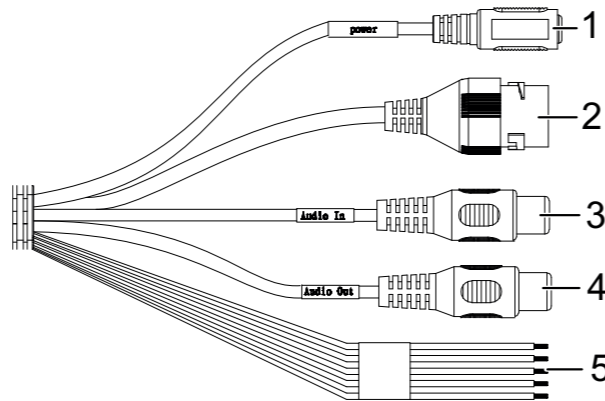


Table 1: Connections

No.	Description
1	Power IN
2	Network port
3	Audio IN
4	Audio OUT
5	I/O connections

Table 2: I/O connection wiring

No.	Port	Description	Color
1	ALARM_OUT	Alarm output (Normal open) Must be used with ALM_OUT_GND port	BROWN
2	ALM_OUT_GND	Alarm output	GREEN
3	ALARM_IN1	Alarm input 1	BLUE
4	ALARM_IN2	Alarm input 2	WHITE
5	ALM_IN_GND	Ground port	GREY

REGULATORY

- EN 50130-4
- EN 55024
- EN 55032
- EN 61000-3-2
- EN 61000-3-3
- UL 60950-1
- EN 60068-2-1 : 2007
- EN 60068-2-2 : 2007
- EN 60068-2-30 : 2007
- EN 60068-2-6 : 2008
- EN 60068-2-64 : 2008
- EN 60068-2-27 : 2009
- RoHS directive 2002/95/EC
- EN 60529
- EN 62262
- CFR 47 FCC Part 15 Subpart B, 2015



Environment

Temperature:

- Operating (AUX, PoE+ or higher): -40°C to +60°C (-40°F to 140°F)
- Cold start (AUX, PoE+ or higher): -20°C (-4°F)
- Operating (PoE): -10°C to +60°C (14°F to 140°F)
- Cold start (PoE): -10°C (14°F)

Maximum humidity: 95%

COPYRIGHT © INDIGOVISION LIMITED. ALL RIGHTS RESERVED.
INDIGOVISION, INDIGOULTRA, INDIGOPRO, INDIGOLITE, INTEGRA AND CYBERVIGILANT ARE REGISTERED TRADEMARKS OF INDIGOVISION LIMITED. CAMERA GATEWAY IS AN UNREGISTERED TRADEMARK OF INDIGOVISION LIMITED. ALL OTHER PRODUCT NAMES REFERRED TO IN THIS MANUAL ARE TRADEMARKS OF THEIR RESPECTIVE OWNERS.

THIS MANUAL IS PROVIDED WITHOUT EXPRESS REPRESENTATION AND/OR WARRANTY OF ANY KIND.

PLEASE CONTACT INDIGOVISION LIMITED (EITHER BY POST OR BY E-MAIL AT TECHNICAL.SUPPORT@INDIGOVISION.COM) WITH ANY SUGGESTED CORRECTIONS AND/OR IMPROVEMENTS TO THIS MANUAL.

CONTACT ADDRESS

CHARLES DARWIN HOUSE,
EDINBURGH TECHNOPOLE,
EDINBURGH, EH26 0PY, UK

FURTHER INFORMATION

FOR FURTHER INFORMATION, SEE THE PARTNER PORTAL:

[HTTPS://PARTNERS.INDIGOVISION.COM](https://partners.indigovision.com)

ALTERNATIVELY, SCAN THE QR CODE BELOW.



1. POWERING UP THE CAMERA

The camera can be powered by either an auxiliary power supply or PoE+ and is compliant with the IEEE 802.3at standard.

The following may be used:

- Power over Ethernet (PoE+) switch
- PoE+ injector/midspan
- Auxiliary power supply
 - 12V DC – Camera has a maximum power usage of 13W (1.08A)

The camera should only be powered from the specified voltage.

A suitable power supply can be ordered separately (Part numbers: High PoE Injector 75W 130176, auxiliary 12V DC power supply 110068).



Although this is a PoE+ camera, it will power on with PoE but may reboot if the camera tries to use more power than is available on PoE. This can happen if advanced analytics are used or if the heaters come on due to the external temperature dropping.

2. CONFIGURING THE CAMERA

Configure the settings



By default, the camera uses a DHCP server.

► For more information, refer to the *Web Configuration Guide for this camera*.

1. Connect the camera to a PC using an Ethernet cable.
2. Navigate to the camera's default IP address using a web browser and set a secure password.

If the default password is required, enter 1234.

If you cannot connect to a DHCP server, enter the default network settings.

Default Username	Admin
Default IP Address	10.5.1.10
Default Subnet Mask	255.0.0.0
Default Gateway	10.0.0.1

3. Enter the NTP server and port on the **Setup > System > General > Date & Time** page.
4. Select the video standard for your region using the **Video Standard** option on the **Setup > System > General > General** page.
Choose **PAL** for countries with 50Hz power frequency and **NTSC** for countries with 60Hz power frequency.
5. Enter a new IP address and subnet mask on the **Setup > Network > TCIP/IP** page.

Further configuration

After the IP address has been configured, you can also access the camera's configuration pages through IndigoVision Control Center.

1. In **Setup** view, select the camera you want to configure.
2. Select the **Configure** tab, and enter a valid user name and password if required.

Binary I/O connections

The HD Ultra Bullet Camera has two binary inputs and one binary output. These are connected using the Alarm IO connections on the camera.

Binary inputs

Binary inputs are operated by connecting the Input directly to GND.

Inputs must be configured on the Web Configuration pages to ensure correct behavior.

Binary output

The binary output is a solid state open collector output:

- Max load voltage: 30V DC / 21V AC, 0.5A

The binary output is not polarity sensitive and is normally open. This can be configured on the web configuration pages.

3. INSTALLATION

The camera can be installed directly on a suitable hard surface that can support the camera's weight.

Mounting the camera

1. Fix the Installation template in the correct location with the correct orientation for the surface, for example, ceiling or wall.
2. Following the Installation template, drill 4 holes in the installation surface for the rawlplugs and, if required, one cable exit hole.
3. Insert the 4 rawlplugs (1) into the holes in the installation surface.
4. Align the base of the camera (3) over the rawlplugs and route the cable bundle accordingly.
5. Insert the screws (2) into the rawlplugs and fasten them firmly.
6. Connect to the cable bundle.
7. Adjust the position of the camera as required by loosening the adjustment screw (5) and tighten.
8. Adjust the sunshade as required by loosening the adjustment screw on sunshade (4) and tighten.

Monitoring video during installation

To ensure the camera is aligned correctly you can view the camera picture during installation.

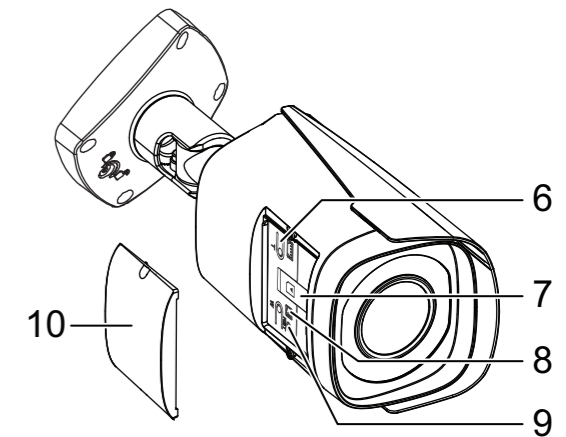
1. Connect the camera to a monitoring device using the supplied BNC Adapter cable connected into the video port (8).
2. Select **Setup > System > General > General > TV Out** and set to **on**.
3. The manual zoom buttons (6) can be used during setup.

Focus the camera

To focus the camera, click **Setup > Camera > Conditions > Zoom and Focus** on the camera's **Configuration** page.

4. OPERATIONS

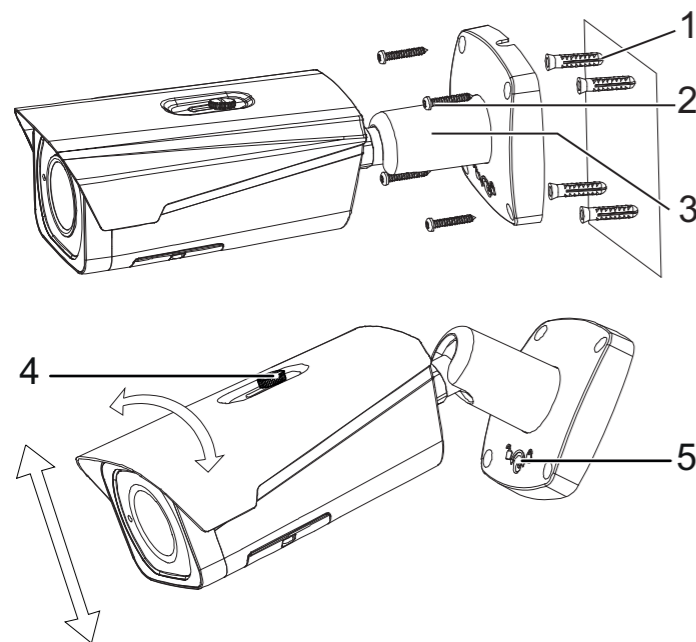
Micro SD card installation



1. Switch off the camera and disconnect the power.
2. Remove the bottom access hatch (10).
3. Insert the SD card into the SD card slot (7).
4. Replace the bottom access hatch and reconnect the power.



Ensure that the bottom access hatch is securely tightened. A poorly fitted bottom access hatch will impact the IP rating of the camera.



Reset to factory defaults

You can reset the camera settings to factory defaults using the following methods:

Firmware factory restore

Click **Full Restore** on the **Setup > System > Default** page.

Hardware factory restore

1. Remove the bottom access hatch and locate the Reset switch (9).
2. Press and hold for 10 seconds.

The camera will revert to the default factory settings.