



IndigoVision



ULTRA RANGE

40x
Optical

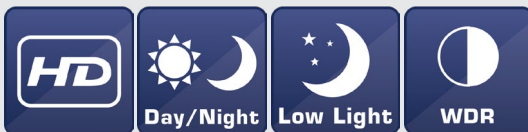
HD Ultra X PTZ Dome Camera

Capture every detail with ultra-high resolution

With best in class performance, the IndigoVision HD Ultra X PTZ Dome Camera delivers rich, Full HD video and image clarity, in all lighting conditions. Image stabilisation and ultra-low PTZ latency gives smoother operator viewing and control. IndigoVision's SMART.core™ technology gives highly optimised H.265 compression and ACF, reducing storage costs by up to 95%.

Key Features

SENSOR



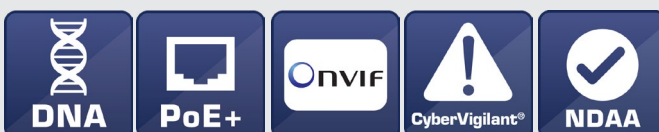
COMPRESSION



INTELLIGENCE



OTHER



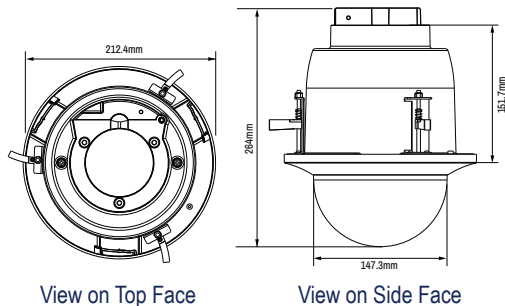
PHYSICAL



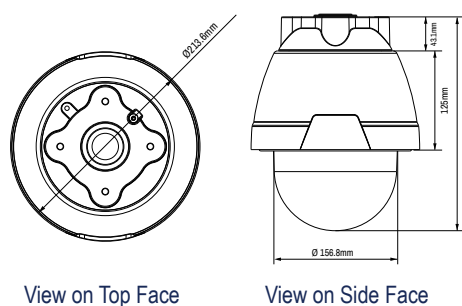
Product Codes

UX3520 HD Ultra X PTZ Dome Cameras	Product Code
HD Ultra X In-Ceiling PTZ, 40x	710510
HD Ultra X Pendant PTZ, 40x	710561

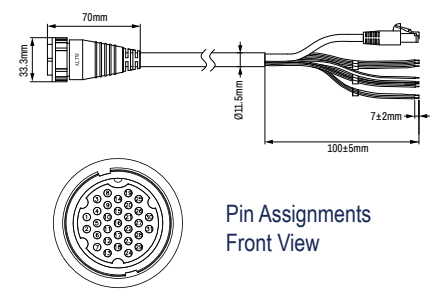
Dimensions: In-Ceiling PTZ



Dimensions: Pendant PTZ



Amphenol Cable



Specification

Camera Features	In-Ceiling	Pendant	
Sensor	Sony 2M 1/2.8" Progressive CMOS		
Active Pixels (HxV)	HD (1920 x 1080)		
Minimum Sensitivity	Day: 0.02 Lux (colour). Night: 0.001 Lux (mono). F1.6, 1/30s shutter		
Dynamic Range	WDR 120dB		
Gain Control	Auto/Manual setting		
Wide Dynamic Range	Off/Low/Mid/High		
Back Light Compensation	On/Off @ 50/60 Frame Rates only		
White Balance Mode	Auto/Manual/ATW/One Push		
Day/Night	True Day/Night with mechanical IR Cut filter		
Video Resolution	1920x1080 pixels (HD); 1280x1024 pixels (1.3MP); 1280x720 pixels (720p); 1024x768 (XGA); 800x600 (SVGA); 720x480 and 720x576 (D1); 640x480 (VGA); 352x240 and 352x288 (SIF); 320x240 (QVGA)		
Signal/Noise Level	>50dB		
Lens Options	4.3mm - 170mm Horizontal view angle 67.0°(W) 2.0° (T), Auto focus with manual override		
Zoom	40x optical + 10x digital		
Iris Control	Auto with manual override		
Shutter	Rolling; Auto from 1/1.5 - 1/10000 sec, Anti-Flicker, Slow Shutter (1, 1/2, 1/4, 1/8, 1/15, 1/30)		
Exposure Control	Auto Iris/P-Iris/Iris/Auto Shutter/Shutter/Manual		
Image Stabilizer	Yes		
Video Compression	Full frame rate, full colour: H.265/H.264/MJPEG ; up to 60fps		
Video Bit Rate	User-configurable bit rates from 64Kbps up to 10Mbps		
Video Multi-Streaming	Up to 32Mbps total video output; Unlimited multicast connections. Up to four 8Mbps unicast connections; Up to sixteen 1Mbps unicast connections		
Video Multi-Encoder	Up to four simultaneous resolutions including: 1080p (60fps), 1080p (30fps), 720p (30fps), D1 (30fps), SIF (30fps)		
Video Analytics	ACF, Motion Detection		
Audio Compression	G.711Mu/AAC		
Audio Input	Line in		
Audio Output	Line out		
Binary Input/Output	4 input; 2 output	2 input; 1 output	
Network Interface	IEEE802.3 and IETF standards: 10/100 Base-T Ethernet, TCP, UDP, RTP, RTSP, ICMP, IGMP, SNMP, HTTP, HTTPS, QoS, DHCP, DNS, DNS		
Network Security	HTTPS, CyberVigilant®, IEEE 802.1x		
CyberVigilant® Technology	Yes		
Time	Embedded real-time clock, SNTP client		
SD Storage	SD/SDHC/SDXC 128GB support (card not included)*		
Dimension/Weight	212.4mm (dia) x 264mm (h) and 2.6Kg	213.6mm (dia) x 270.8mm (h) and 2.9Kg	
Regulatory	EN55032, EN50130-4, EN61000-3-2, EN61000-3-3, EN61000-6-4, CFR47 part 15 Subpart B, UL60950-1, EN60068-2-6, EN60068-2-64, EN60068-2-27, EN60068-2-1, EN60068-2-2, EN60068-2-30, UL2043 (In-Ceiling), EN60529 (Pendant), EN62262 (Pendant)		
Housing	Aluminium alloy with polycarbonate dome		
Protection Rating	N/A	IP66, IK10	
Electrical	PoE+ (802.3at Class 4) or 12V DC @ 0.75A; 9W, 30VDC @ 0.35A; 10.4W, 24V AC @ 0.66A 15.8W	PoE+ (802.3at Class 4) or 30VDC @ 0.61A; 18.3W 24V AC @ 1.1A; 26.4W	
Operating Temperature	-10°C to 50°C		
Cold Start	-10°C		
IndigoVision Software Requirements	Control Center v16.0.1 or later		
Supported Internet Browser	Internet Explorer v11.0 or later		
ONVIF	Profile S		
NDAA	This product is compliant with the National Defense Authorization Act (NDA). Section 889 of the NDA prohibits the U.S. government from procuring video and telecommunications equipment from certain Chinese companies and their subsidiaries.		
PTZ Control			
Preset	256	Pan Range	360° Continuous Rotation
Preset Accuracy	0.225°	Tilt Range	100° (-10° above horizon). For optimum performance Tilt Range of +5 to +10 is recommended.
Preset Tours	8	Pan/Tilt Speed	Pan Speed - 0.1-90°/s. Tilt Speed - 0.1-55°/s
Pattern Mimic Tours	8	Pan/Tilt Warranty	Moving part warranty limited to 5 million Pan and Tilt Operations
Privacy Zones	20 User Defined	Preset Move Speed	5-400°/s
Cable Features			
Length	1.5m cable supplied. 3m (110173) and 9m (110174) available as accessories		
Cable	UL2464		
Waterproof Rate	IP67		
Temperature Range	-40~70°C (Except Cap)		
Materials	All plastic and rubber materials should be UV resistant		

* SDCard Storage independent of IndigoVision's NVRs.