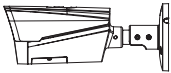
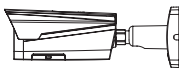
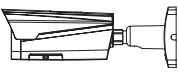
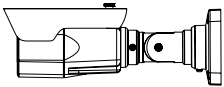


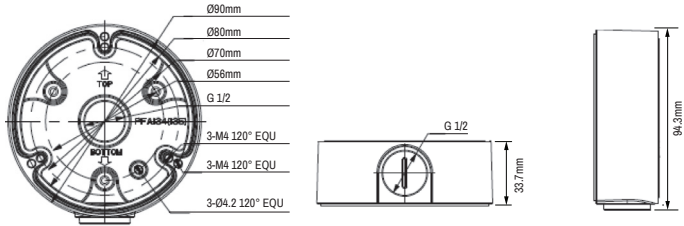
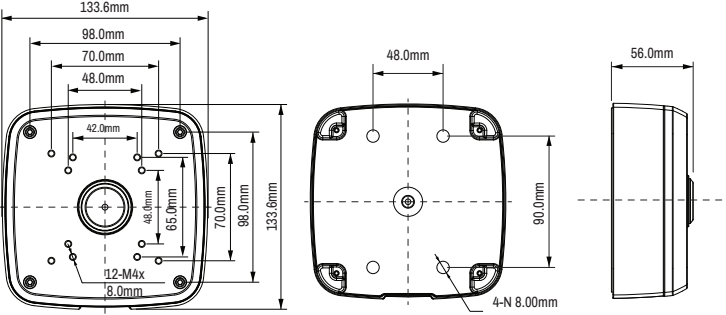
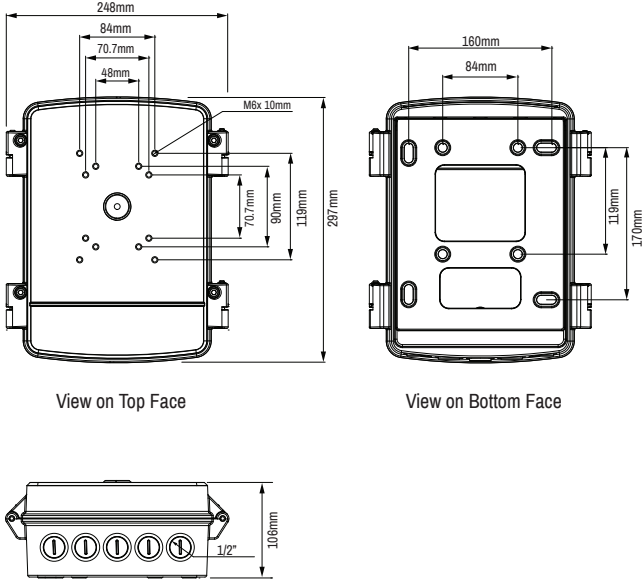
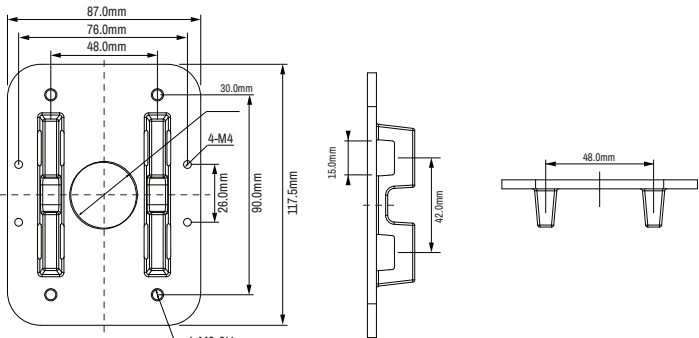


IndigoVision

Bullet Camera Mount & Accessory Matrix

GX Range, GX620 HD Bullet Camera	BX Range, BX630 HD & BX620 4MP/4K Bullet Cameras	Ultra Range, U2615 HD Ultra Bullet Camera	Ultra Range, UX3625 HD Ultra X Bullet Camera
			

Mount/Accessory	Standard	Standard	Standard	
Exit Collar	130010	-	-	-
Junction Box	-	130084	130084	130084
Powered Junction Box	-	130172 (Requires 130084)	130172 (Requires 130084)	130172 (Requires 130084)
Pole Mount Adaptor	130083; 130183 (Requires 130010)	130083 (Requires 130084); 130183 (Requires 130084)	130083 (Requires 130084); 130183 (Requires 130084)	130083 (Requires 130084); 130183 (Requires 130084)
Corner Mount Adaptor	130184 (Requires 130010)	130184 (Requires 130084)	130184 (Requires 130084)	130184 (Requires 130084)
Power Supply	110068; 130176	110068; 130176	110068; 130176	110068; 130176

Mount Name	Camera Range	Dimensional Drawing	Product Codes
Exit Collar	GX Range	 <p>View on Front Face View on Top Face View on Side Face</p>	130010
Junction Box	BX Range Ultra Range	 <p>View on Top Face View on Bottom Face View on Side Face</p>	130084
Powered Junction Box	BX Range Ultra Range	 <p>View on Top Face View on Bottom Face View on Side Face</p>	130172
Pole Mount Adaptor	GX Range BX Range Ultra Range	 <p>View on Front Face View on Side Face View on Top Face</p>	130083

Mount Name	Camera Range	Dimensional Drawing	Product Codes
Pole Mount Adaptor	GX Range BX Range Ultra Range	<p>View on Front Face</p> <p>View on Side Face</p> <p>View on Top Face</p>	130183
Corner Mount Adaptor	GX Range BX Range Ultra Range	<p>View on Front Face</p> <p>View on Side Face</p> <p>View on Top Face</p>	130184

Power Supplies

Product Code	Input Voltage	Input Current (Max)	Input Connector	Output Voltage	Output Current (Max)	Output Connector	Operating Temperature Range	Dimensions (D x W x H)
110068	100-240VAC	0.8A	IEC320-C14	12V DC	2.5A	Bare Wires	-30°C to 60°C	115mm x 50mm x 35mm
130176	100-240VAC	2.0A	IEC320-C14	56V DC	0.67A	RJ45 Female Connector	-20°C to 40°C	166mm x 80mm x 44mm