



IndigoVision



Workstation Monitor

Complete clarity and versatility

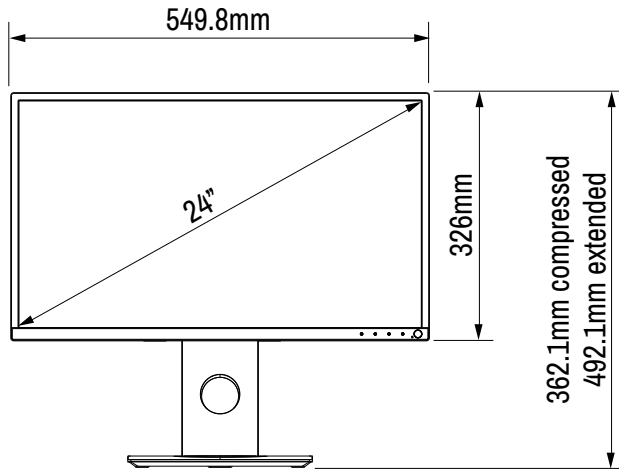
IndigoVision's 24" Workstation Monitor is designed for pixel-perfect clarity and purpose-built for workspace versatility with full tilt, height, angle, and even complete rotation for portrait setup. Stunning visuals guaranteed and perfected to work with IndigoVision's Mini Client, Platinum Client, and Hybrid NVR Workstations.

- Purposefully designed for comfort and convenience
- Enjoy full adjustability to pivot, tilt, height adjustment and swivel to suit your needs
- Excellent picture quality and consistent color representation
- Maximise your security potential with IndigoVision's Mini Client, Platinum Client, and Hybrid NVR Workstations

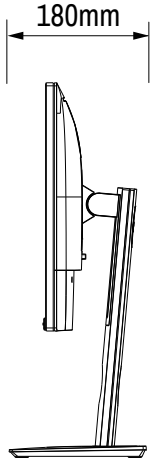
Product Code

Workstation Monitor	Product Code
Workstation Monitor 24in 1080p 60Hz	110390

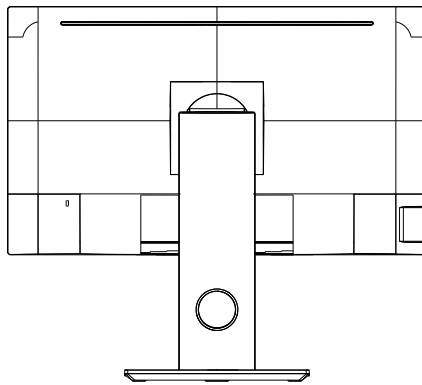
Dimensions



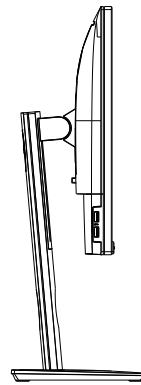
View of Front Face



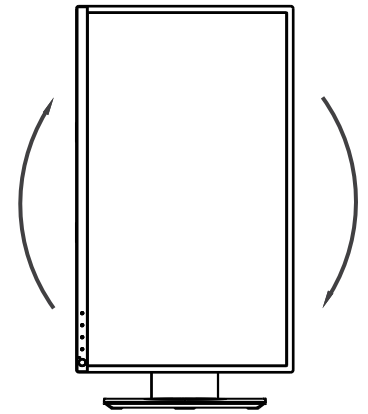
View of Left Side



View of Back



View of Right Side



Swivel Configuration

Specification

General Specification	
Display Type	LED-backlit LCD monitor / TFT active matrix 24"
Energy Class	Class A+
Built-in Devices	USB 3.0 hub
Aspect Ratio	Widescreen - 16:9
Native Resolution	Full HD (1080p) 1920 x 1080 at 60 Hz
Pixel Pitch	0.275 mm
Brightness	250 cd/m ²
Contrast Ratio	1000:01:00
Colour Support	16.7 million colours
Response Time	6 ms (grey-to-grey)
Horizontal Viewing Angle	178°
Vertical Viewing Angle	178°
Screen Coating	Anti-glare, 3H Hard Coating
Backlight Technology	LED backlight
Features	Ultra wide viewing angle, Premium Panel Guarantee, Dell Easy Arrange, Dell ComfortView
Dimensions (WxDxH) and Weight	549.8 mm (w) x 362.1 mm (h) x 180.0 mm (d) w/ stand compressed or 492.1 mm (h) w/ stand extended, 5.89 kg
Display Position Adjustments	Height, pivot (rotation), swivel, tilt
Connectivity	HDMI, DisplayPort, VGA, 2 x USB 3.0, 2 x USB 2.0
Cables Included	1 x VGA cable, 1 x DisplayPort cable, 1 x SuperSpeed USB cable
Electrical	AC 120/230 V (50/60 Hz)
Compliant Standards	TCO Displays
ENERGY STAR Certified	Yes